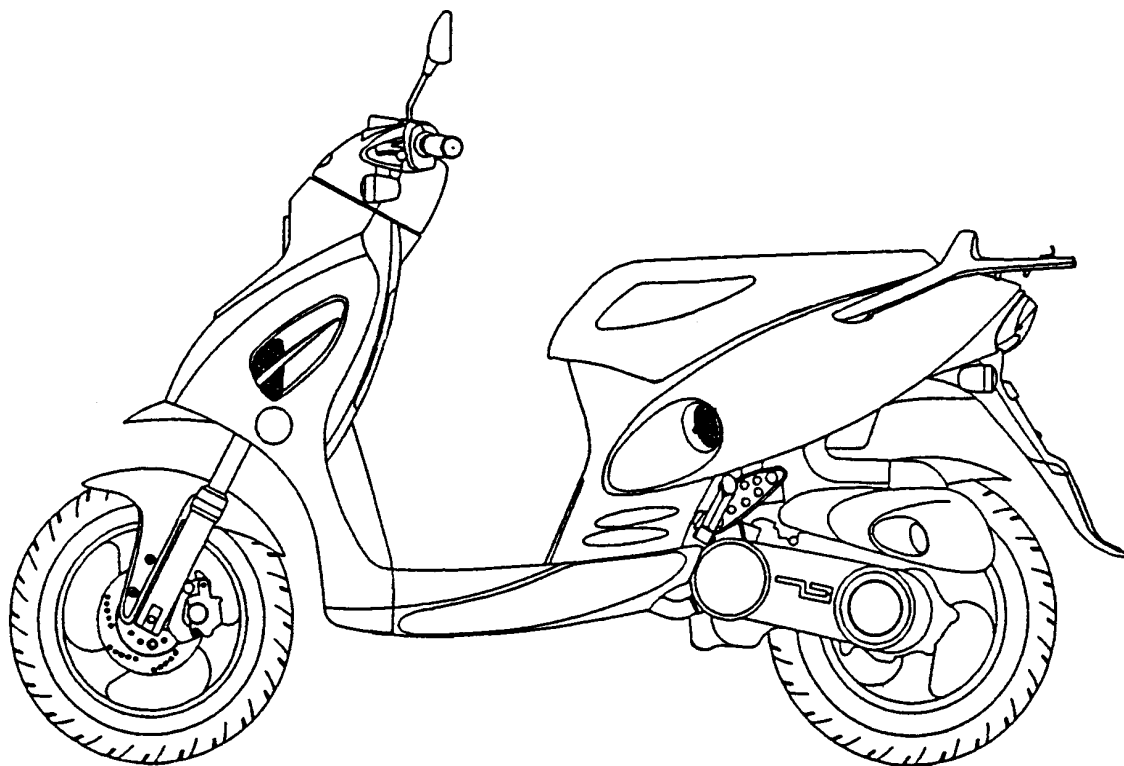




零件型錄

PARTS CATALOGUE

1997 - 2006



光陽機車

KYMCO

光陽機車

KYMCO

光陽機車

KYMCO

目 次

●前 言	1
●SF10AG(US) 配色表.....	5
●引擎分組圖	7
●車架分組圖	9
●引擎零件號碼表.....	13
●車架零件號碼表.....	45
●零件號碼索引	107

CONTENTS

●ABOUT THIS PARTS LIST.....	1
●COLOR CHART OF SF10AG(US).....	5
●CONTENTS-ENGINE GROUP	7
●CONTENTS-FRAME GROUP	9
●ENGINE PARTS LIST	13
●FRAME PARTS LIST.....	45
●PART NO. INDEX.....	107

項次 NO	機種名稱 (MODEL)			SF10AG(US) COLOR CHART					
	相片號碼 (PHOTO NO)			NO.1	NO.1	NO.3			
	主體色 (BASIC COLOR)			深鐵灰	鮮紅	亮銀			
	色碼 (CODE)			Dark Gray Metallic	Vivid Red	Bright Silver			
	色別零件名稱(PARTS NAME)	基本零件號碼(PARTS NO)	版數(VERSION)	NH124MA	RR134SA	NH045MA			
1	COVER SET FRONT	64301-KEB7-8000	0	NH124P	RR134P	NH045P			
2	COVER SET R BODY	83500-KEB7-3150-GM	1						
3	COVER SET L BODY	83600-KEB7-3150-GM	1						
4	COVER REAR CENTER	83750-KEB7-9000	0						
5	COVER FRONT HANDLE	53205-KEB7-8000	2						
6	COVER REAR HANDLE	53206-KEB7-9000	1						
7	LID LEG SHIELD	81132-KEB7-9000	0						
8	FLOOR PANEL	64310-KEB7-9000	0						
9	COVER BATTERY	50326-KEB7-9000	0						
10	COVER PLUG MAINT	80153-KEB7-9000	0						
11	COVER CENTER	80151-KEB7-9000	0						
12	COVER UNDER	50613-KEB7-9000	0						
15	GRILL R BODY COVER	83501-KEB7-9000	0						
16	GRILL L BODY COVER	83601-KEB7-9000	0						
17	MIRROR ASSY R BACK	88110-KEB7-E000	0						
18	MIRROR ASSY L BACK	88120-KEB7-E000	0						
19	LEG SHIELD	81131-KEB7-9000	0						
20	LID INNER BOX	81141-KEB7-9000	1				NH001SR		
21	COVER R SIDE	64304-KEB7-E000	1				NH001R		
22	COVER L SIDE	64305-KEB7-E000	0	NH045P	NH045P				
23	COVER R SIDE	64304-KEB7-9000	1			NH001R			
24	COVER L SIDE	64305-KEB7-9000	0						
25	COVER SET R SKIRT	83520-KEB7-3050-GM	0	NH045J	NH045H				
26	COVER SET L SKIRT	83620-KEB7-3050-GM	0						
27	COVER SET R SKIRT	83520-KEB7-3150	0			NH001E			
28	COVER SET L SKIRT	83620-KEB7-3150	0						
29	FORK SET R FRONT	5140A-KEB7-8100	9	NH147A					
30	FORK SET L FRONT	5150A-KEB7-8100	10						
31	WHEEL SET FRONT	44650-KEB7-3150	0	NH131A					
32	WHEEL COMP REAR CAST	42601-KEB7-E100	0						
33	CALIPER ASSY FRONT L	45100-KCX-E000	3	NH131MA					
34	CARRIER LUGGAGE	81200-KEB7-9000	0						
35	FENDER FRONT	61110-KEB7-8000	0	NH008TP					
36	SPOILER FRONT	64302-KEB7-9000	0	NH001A					
37	COVER L SIDE	11341-KEB7-9000	2						
38	SEAT COMP	77200-KEB7-E000	1	TYPE A					
39	EMB FR COVER	87206-KCN-8000	0						
40	MARK MODEL	87503-KEB7-M000-US	0						
41	STRIPE BODY COVER	87132-KEB7-E100-GM	0	TYPE B	TYPE B	TYPE A			
42	STRIPE R SKIRT	87551-KEB7-9000	0	TYPE J	TYPE H	TYPE E			
43	STRIPE L SKIRT	87552-KEB7-9000	0						
生產日期 (DATE OF STARTING-SALES)				2000.03.28		2000.03.28			
停產日期 (DATE OF ENDING-SALES)									

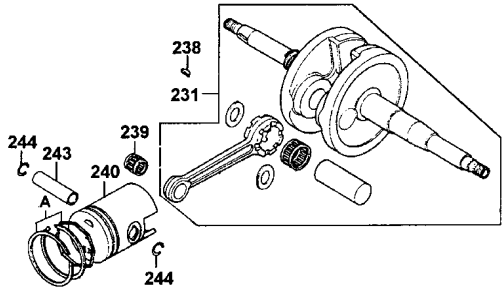
項次 NO	機種名稱 (MODEL)			SF10AG(US) COLOR CHART			
	相片號碼 (PHOTO NO)			NO.1	NO.1	NO.3	NO.4
	主體色 (BASIC COLOR)			深鐵灰	鮮紅	亮銀	藍綠
	色碼 (CODE)			Dark Gray Metallic	Vivid Red	Bright Silver	Gren Blue Metallic
	色別零件名稱(PARTS NAME)	基本零件號碼(PARTS NO)	版數(VERSION)	NH124MA	RR134SA	NH045MA	Bg314ma
1	COVER SET FRONT	64301-KEB7-8000	0	NH124P	RR134P	NH045P	BG314P
2	COVER SET R BODY	83500-KEB7-3150-GM	1				
3	COVER SET L BODY	83600-KEB7-3150-GM	1				
4	COVER REAR CENTER	83750-KEB7-9000	0				
5	COVER FRONT HANDLE	53205-KEB7-8000	2				
6	COVER REAR HANDLE	53206-KEB7-9000	1	NH001SR			
7	LID LEG SHIELD	81132-KEB7-9000	0				
8	FLOOR PANEL	64310-KEB7-9000	0				
9	COVER BATTERY	50326-KEB7-9000	0				
10	COVER PLUG MAINT	80153-KEB7-9000	0				
11	COVER CENTER	80151-KEB7-9000	0				
12	COVER UNDER	50613-KEB7-9000	0				
15	GRILL R BODY COVER	83501-KEB7-9000	0				
16	GRILL L BODY COVER	83601-KEB7-9000	0				
17	MIRROR ASSY R BACK	88110-KEB7-E000	0				
18	MIRROR ASSY L BACK	88120-KEB7-E000	0	NH001R			
19	LEG SHIELD	81131-KEB7-9000	0				
20	LID INNER BOX	81141-KEB7-9000	1				
21	COVER R SIDE	64304-KEB7-E000	1				
22	COVER L SIDE	64305-KEB7-E000	0				
23	COVER R SIDE	64304-KEB7-9000	1	NH045P	NH045P	NH001R	NH045P
24	COVER L SIDE	64305-KEB7-9000	0	NH045J			
25	COVER SET R SKIRT	83520-KEB7-3050-GM	0				
26	COVER SET L SKIRT	83620-KEB7-3050-GM	0				
27	COVER SET R SKIRT	83520-KEB7-3150	0				
28	COVER SET L SKIRT	83620-KEB7-3150	0				
29	FORK SET R FRONT	5140A-KEB7-8100	9	NH147A			
30	FORK SET L FRONT	5150A-KEB7-8100	10				
31	WHEEL SET FRONT	44650-KEB7-3150	0	NH131A			
32	WHEEL COMP REAR CAST	42601-KEB7-E100	0				
33	CALIPER ASSY FRONT L	45100-KCX-E000	3	NH131MA			
34	CARRIER LUGGAGE	81200-KEB7-9000	0				
35	FENDER FRONT	61110-KEB7-8000	0	NH008TP			
36	SPOILER FRONT	64302-KEB7-9000	0				
37	COVER L SIDE	11341-KEB7-9000	2	NH001A			
38	SEAT COMP	77200-KEB7-E000	1				
39	EMB FR COVER	87206-KCN-8000	0	TYPE A		TYPE A	
40	MARK MODEL	87503-KEB7-M000-US	0			TYPE B	
41	STRIPE BODY COVER	87132-KEB7-E100-GM	0	TYPE B	TYPE B	TYPE A	
42	STRIPE R SKIRT	87551-KEB7-9000	0	TYPE J	TYPE H	TYPE E	TYPE D
43	STRIPE L SKIRT	87552-KEB7-9000	0				
生產日期 (DATE OF STARTING-SALES)					2000.03.28	2000.03.28	

CONTENTS-ENGINE GROUP

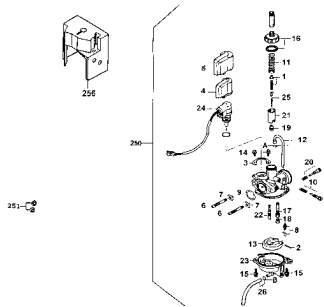
E1 Fan Cover●Shroud -15-	E2 Cylinder Head●Cylinder -17-	E3 Generator -19-	
E4 Starting Motor -21-	E5 Left Side Cover -23-	E6 Drive Pulley -25-	
E7 Driven Pulley -27-	E8 Transmission -31-	E9 Crankcase●Oil Pump -33-	

CONTENTS-ENGINE GROUP

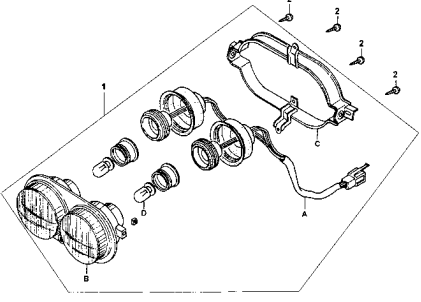
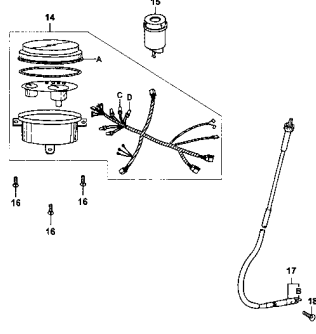
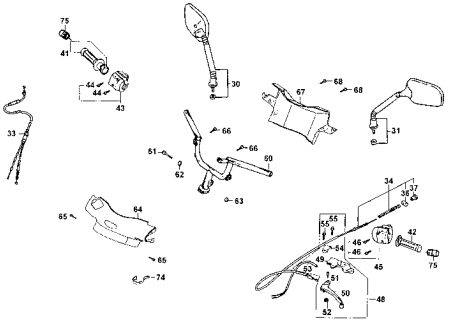
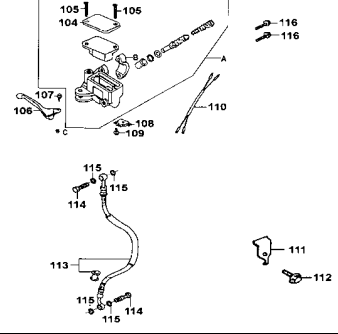
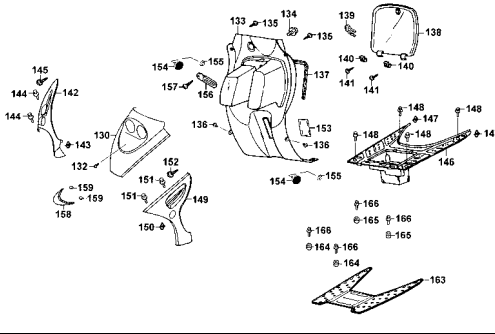
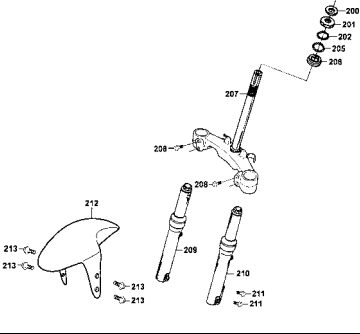
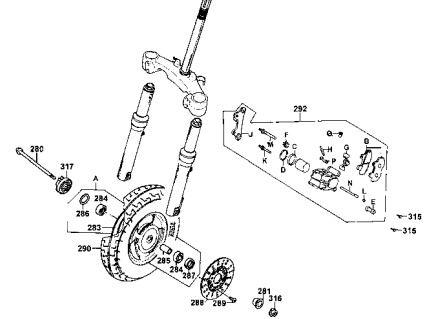
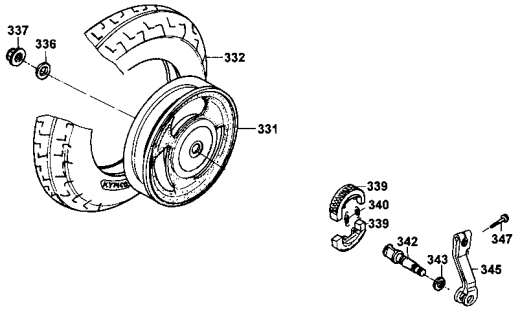
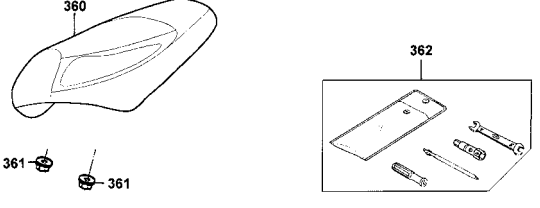
E10 Crankshaft●Piston -39-



E11 Carburetor -41-



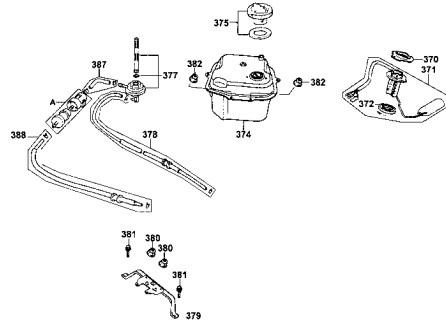
CONTENTS-FRAME GROUP

F1 Head Light -47-	F2 Speedometer -49-	F3 Cable●Switch●Handle Lever -51-
		
F4 Front Brake Master Cylinder -55-	F5 Front Cover●Step Floor ●Inner Box -57-	F6 Front Cushion -61-
		
F7 Front Wheel -63-	F8 Rear Wheel -67-	F9 Seat -69-
		

CONTENTS-FRAME GROUP

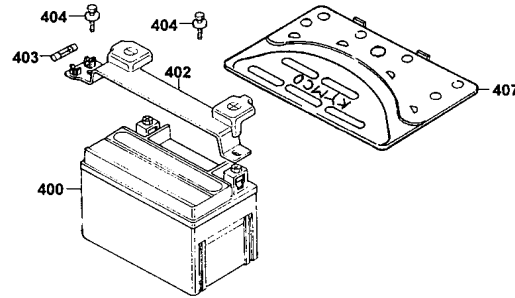
F10 Fuel Tank

-71-



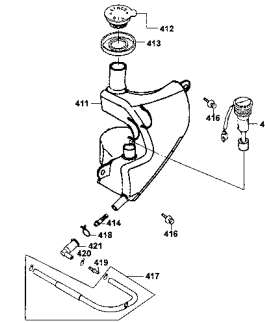
F11 Battery

-73-



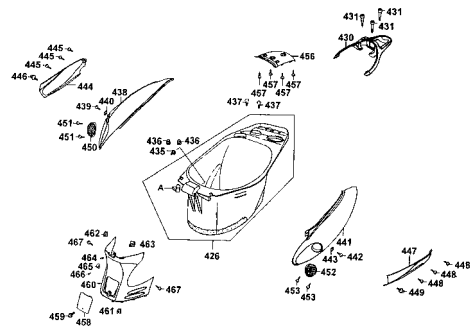
F12 Oil Tank

-75-



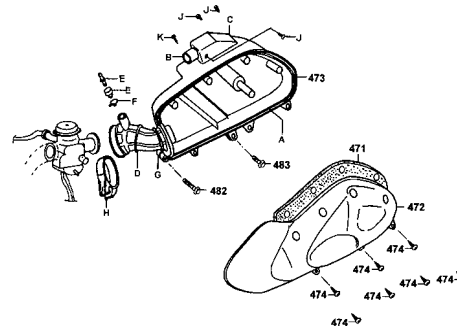
F13 Body Cover ● Carrier ● Luggage

-77-



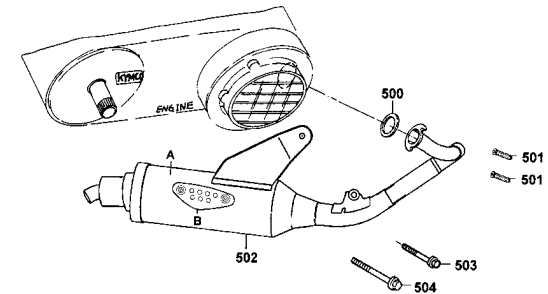
F14 Air Cleaner

-81-



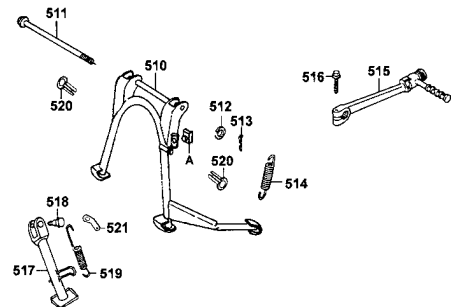
F15 Exhaust Muffler

-83-



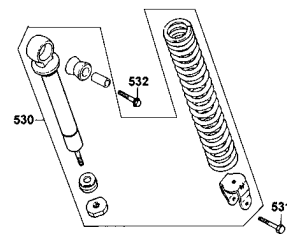
F16 Stand ● Kick Starter Arm

-85-



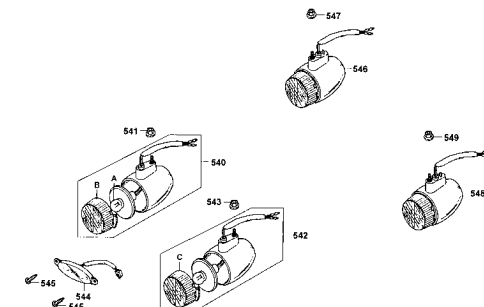
F17 Rear Cushion

-87-



F18 Winker

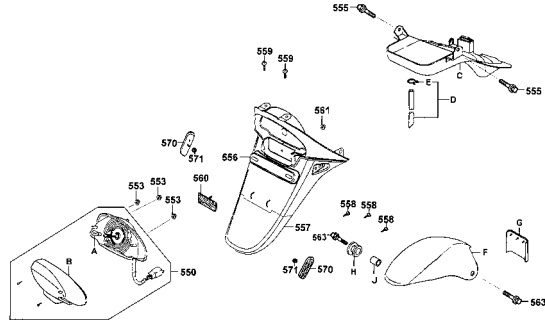
-89-



CONTENTS-FRAME GROUP

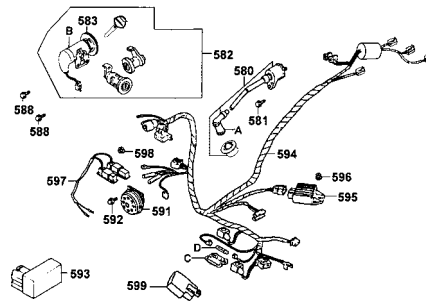
F19 Tail Light

-91-



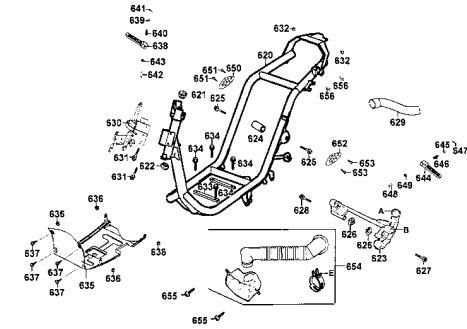
F20 Wire Harness

-95-



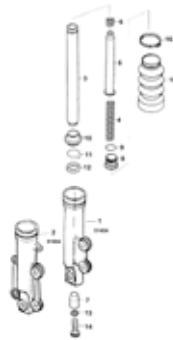
F21 Frame Body

-97-



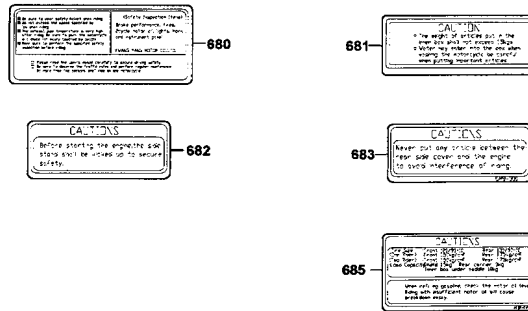
F22 Separated Parts Of Fr Fork

-101-



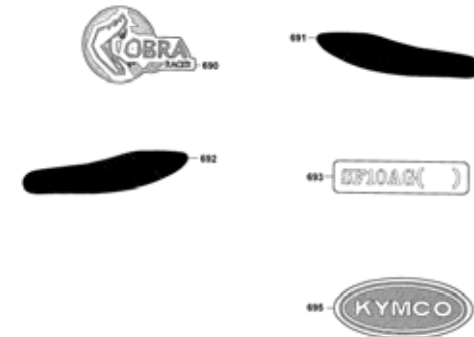
F23 Caution Label

-103-

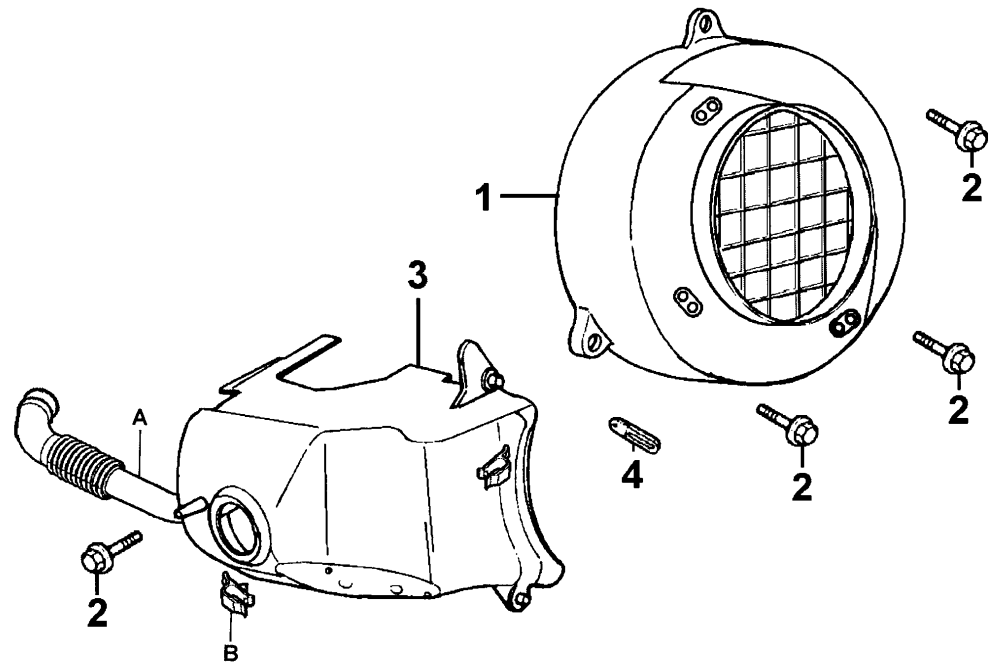


F24 Mark Stripe

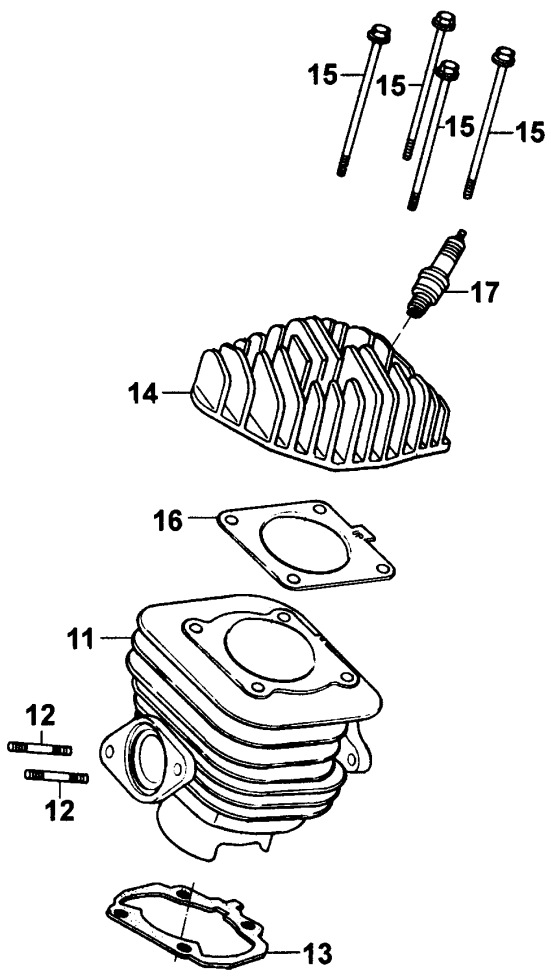
-105



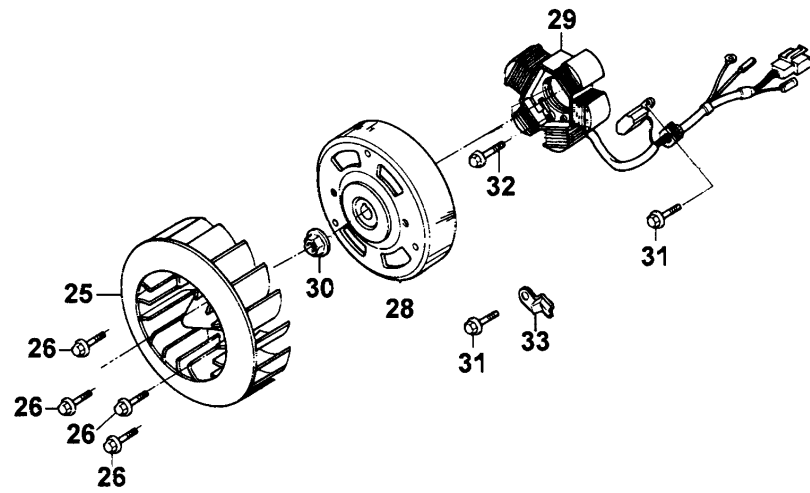
E 1 Cover Fan ● Shroud



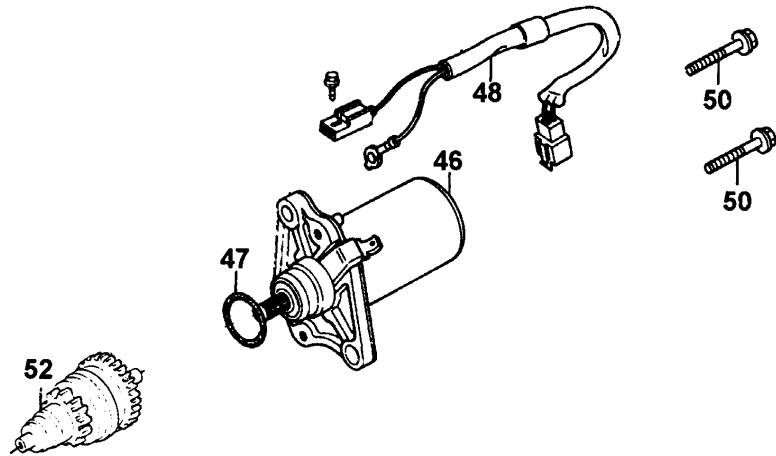
E 2 Cylinder ● Cylinder Head



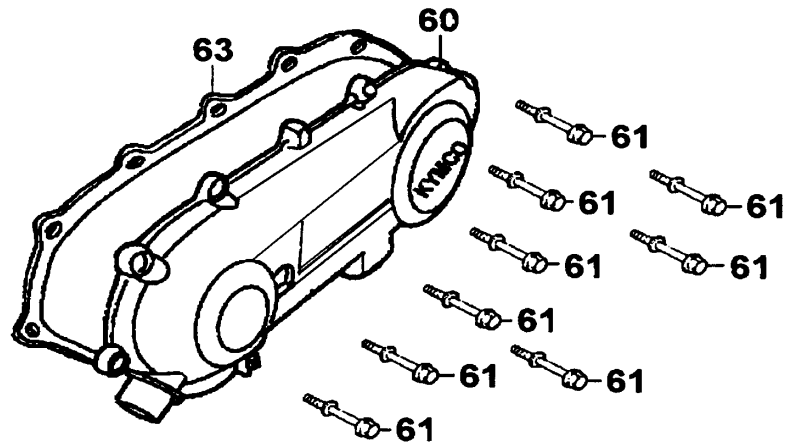
E 3 Generator



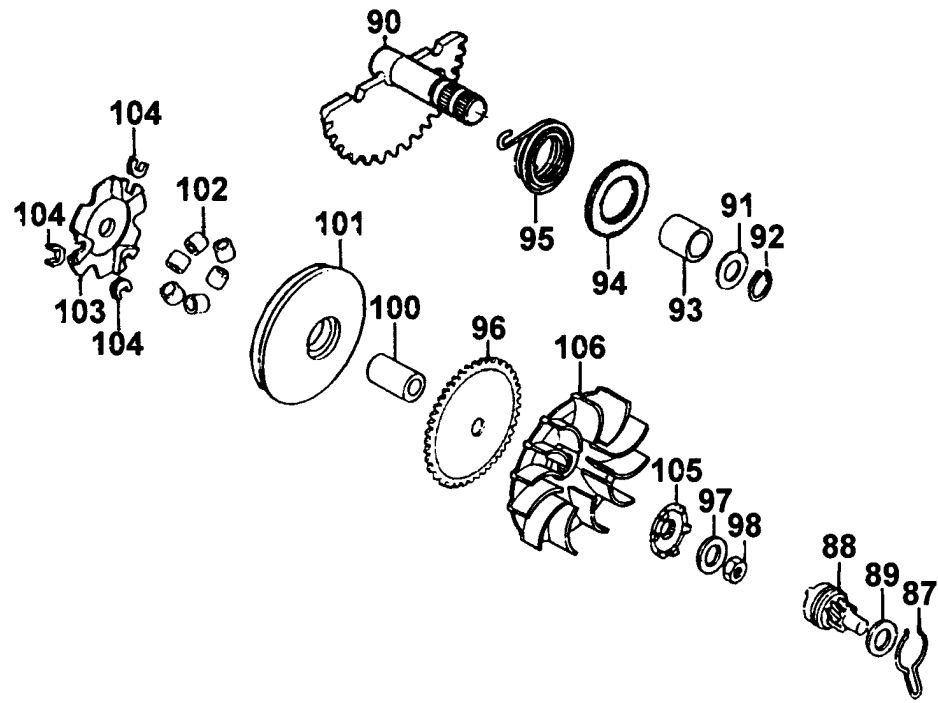
E 4 Staring Motor



E 5 Left Side Cover



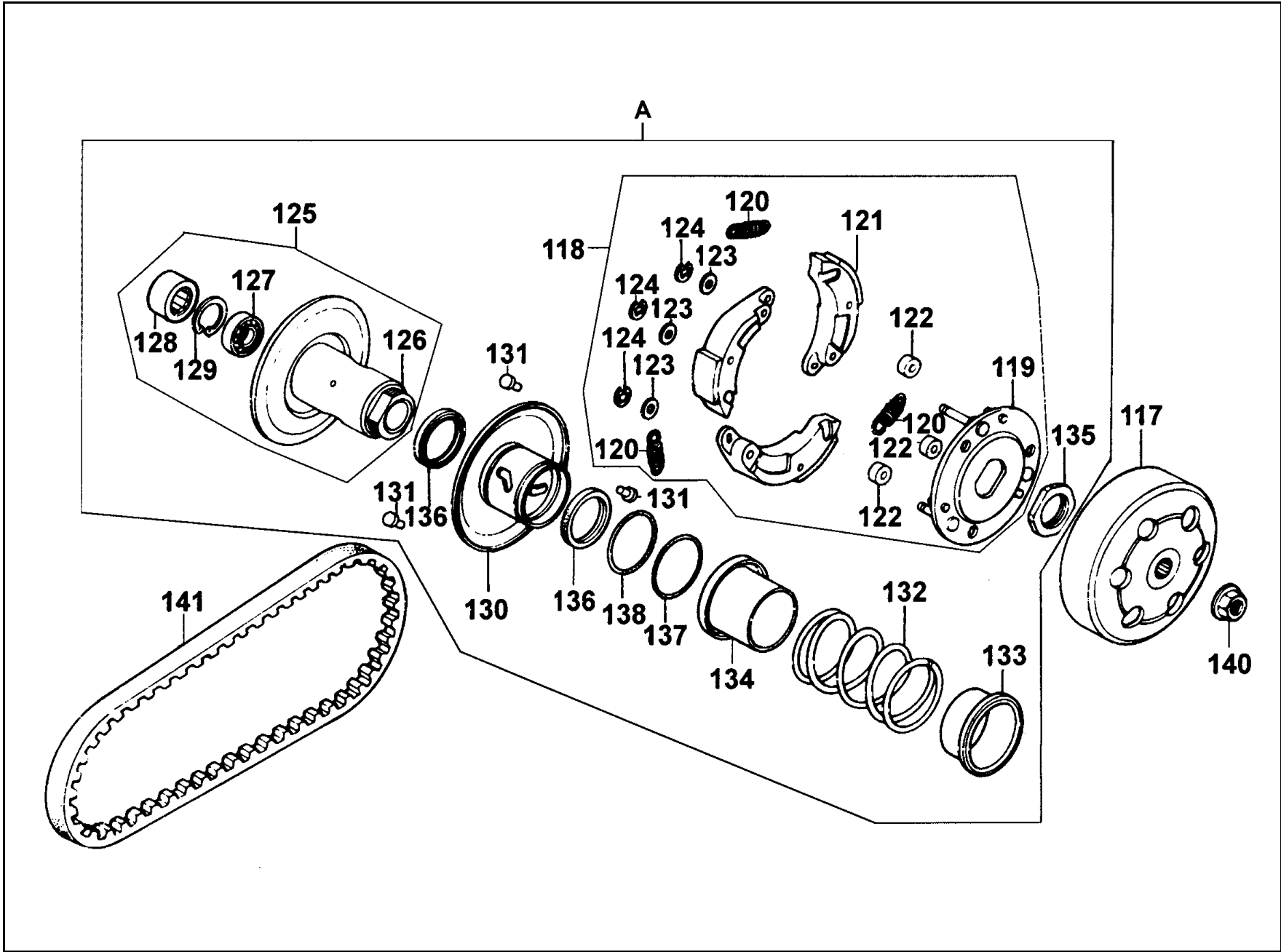
E 6 Drive Pulley



販賣記號	項目	零件號碼	版數	英文名稱	中文名稱	需要用量	參考價
Sales mark	Ref no	Part no	Ver	Description	Chinese	Reqd no	Ref Price
*	87	28223-KBN-9010	0	SPG KICK DRIVEN GEAR	起動惰齒輪彈簧	1	
*	88	28230-GAK-9210	0	GEAR COMP KICK DRIVEN	起動惰齒輪組	1	
*	89	90412-329-0010	0	WASHER THRUST 10M/M	華司	1	
*	90	28250-KBN-9010	0	SPINDLE COMP KICK STARTER	起動臂軸	1	
*	91	90451-GN2-6010	1	WASHER KICK SPINDLE	華司	1	
*	92	94511-14000	0	CIRCLIP EX 14	夾環	1	
*	93	28253-GN2-6020-M1	0	BUSH KICK SPINDLE	起動臂軸襯套	1	
*	94	28255-GS6-0010	0	COLLAR KICK BOSS	套筒	1	
*	95	28281-GN2-6030-M1	0	SPRING KICK RETURN	起動彈簧	1	
*	96	22102-KEB7-9000	0	FACE DRIVE	驅動皮帶扇葉盤	1	
*	97	90426-KBN-9010	0	WASHER SPECIAL 12MM	華司	1	
*	98	94001-12280-0S	0	NUT HEX 12MM	螺帽	1	
*	100	22105-KEB7-E000	0	BOSS DRIVE FACE	滑動式驅動盤襯套	1	
*	101	22110-KFA1-2200	0	FACE COMP MOVABLE DRIVE	滑動式驅動盤	1	
*	102	22121-GW0-9010	0	ROLLER COMP WEIGHT 8.5 gr	配重滾子	6	
*	103	22131-GAH-7810	0	PLATE RAMP	斜坡板	1	
*	104	22132-GW0-0010	2	PIECE SLIDE	斜板邊件	3	
*	105	28211-KEB7-9000	0	RATCHET KICK STARTER	起動齒盤	1	
*	106	22103-KEB7-9000	0	FAN CVT COOLING	冷卻風扇	1	

E
6

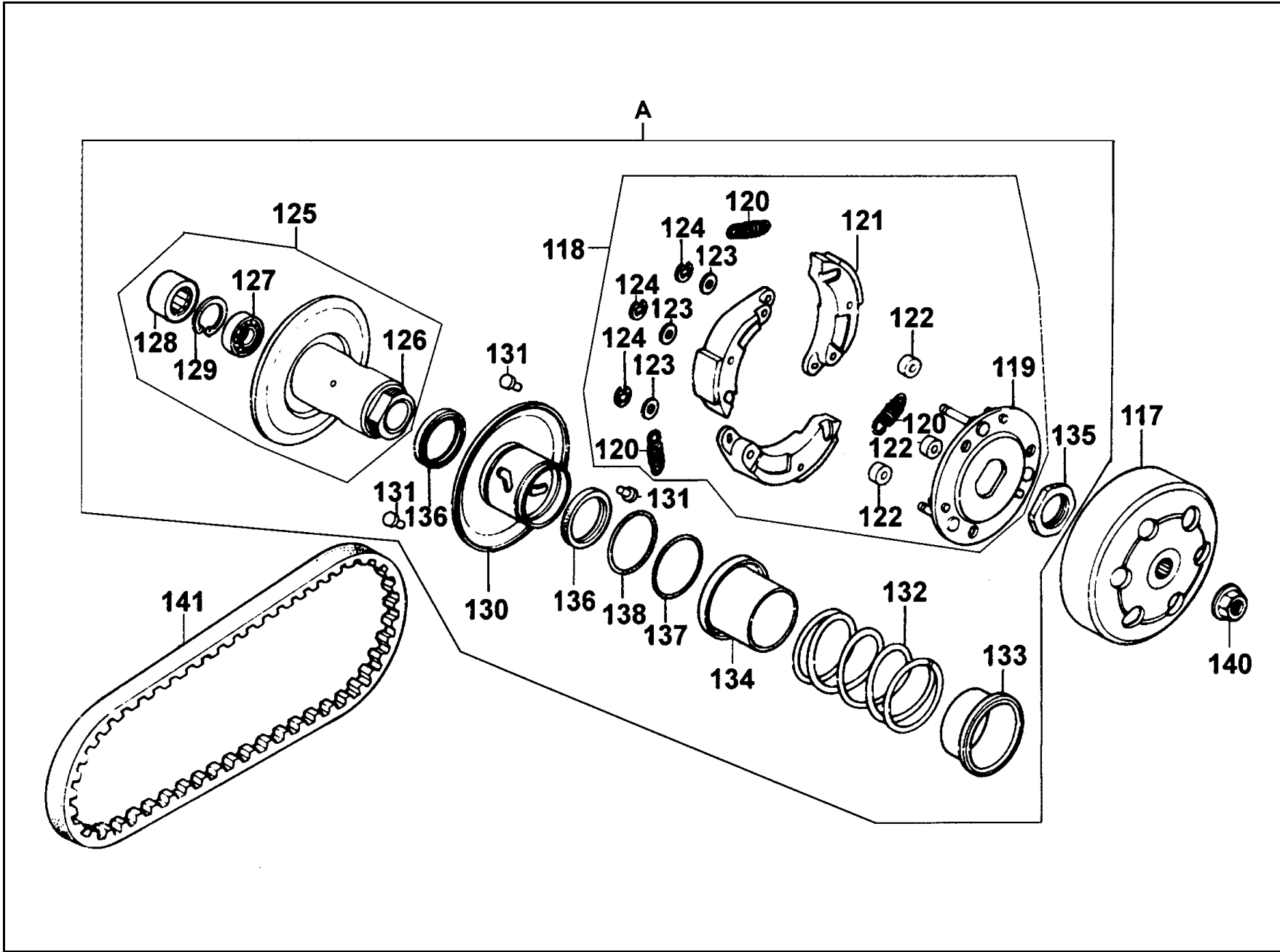
E 7 Driven Pulley



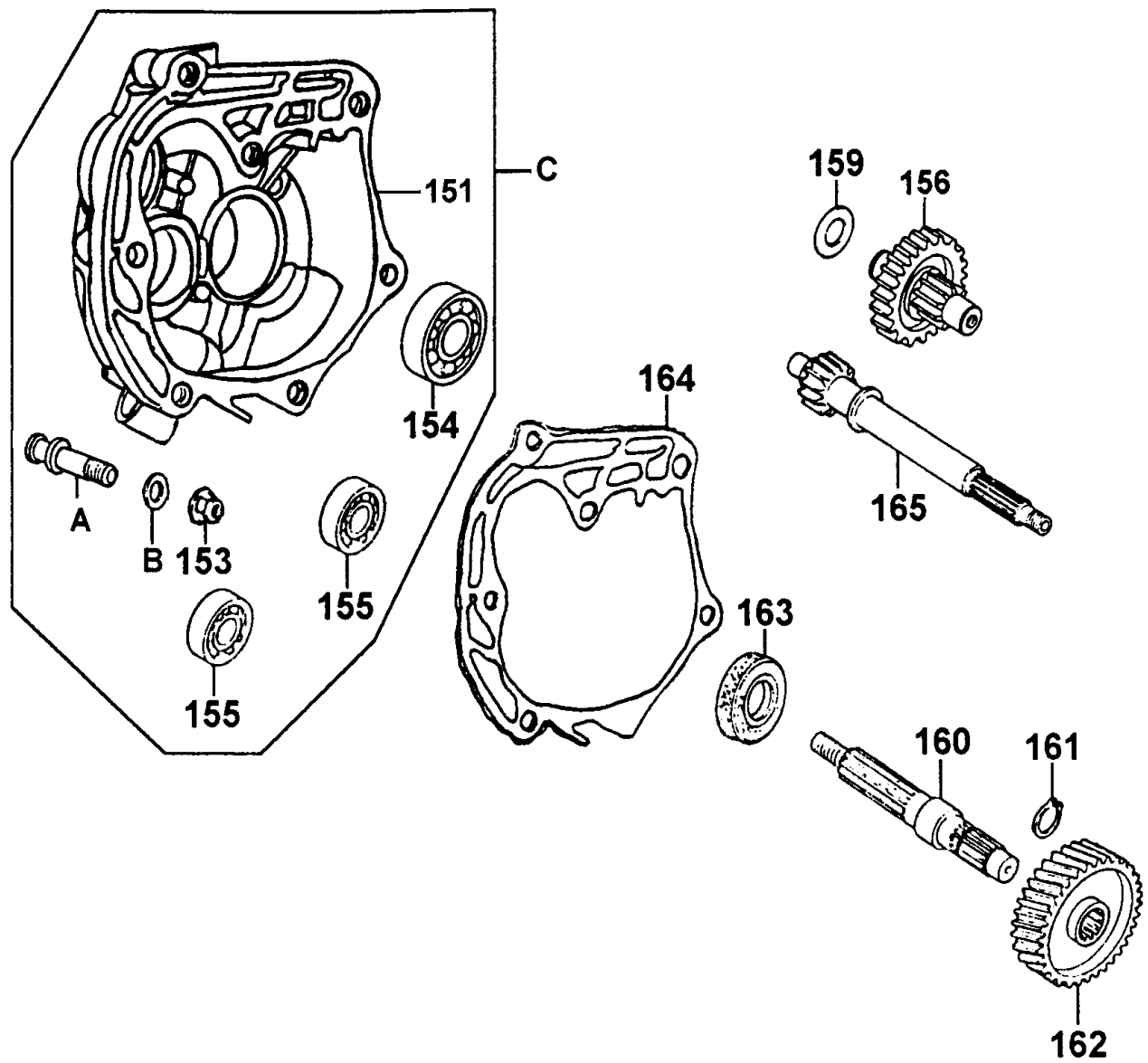
販賣記號	項目	零件號碼	版數	英文名稱	中文名稱	需要用量	參考價
Sales mark	Ref no	Part no	Ver	Description	Chinese	Reqd no	Ref Price
*	117	22100-GR1-7510	0	CLUTCH OUTER	離合器外套	1	
*	118	22300-KCX-9000	0	PLATE ASSY DRIVE	驅動板組	1	
	119	22350-GAK-9300	1	PLATE COMP DRIVE	驅動板	1	
	120	22401-GG2-9000	0	SPRING CLUTCH	離合器彈簧	3	
	121	22530-GAK-9300	1	WEIGHT SET CLUTCH	離合配重	1	
	122	22804-148-0010	0	RUBBER CLUTCH DUMPER	橡皮	3	
	123	90442-044-0000	0	6M/M THRUST WASHER	華司	3	
	124	90454-GB2-0000	0	CIRCLIP 6MM	環夾	3	
*	125	23200-GR1-7510	0	FACE ASSY DRIVEN	平面轉動組	1	
*	126	23210-GR1-7510	0	FACE COMP DRIVEN H1	平面轉動組	1	
	127	91001-GA7-7020-M1	0	BRG RADIAL BALL 6901U	軸承	1	
*	128	91103-GR1-0040	0	BRG NEEDLE 17*25*18 WS	滾針軸承	1	
*	129	94520-24000	0	CIR CLIP IN 24	夾環	1	
*	130	23220-GAK-2200	0	FACE COMP MOVABLE DRIVEN	滑動式從動皮帶盤	1	
*	131	23225-GR1-7510	0	PIN GUIDE	導銷	3	
	132	23233-GE8-0000	1	SPG DRIVEN FACE	驅動彈簧	1	
*	133	23238-GY6-9410	0	COLLAR SPG	套筒	1	
*	134	23237-GR1-8810	0	COLLAR SEAL	套筒油封	1	
*	135	90202-187-0010	0	NUT SPECIAL 28MM	螺帽	1	
*	136	91211-GK8-0130	0	OIL SEAL 34*39*3	驅動油封	2	

E
7

E 7 Driven Pulley



E 8 Transmission

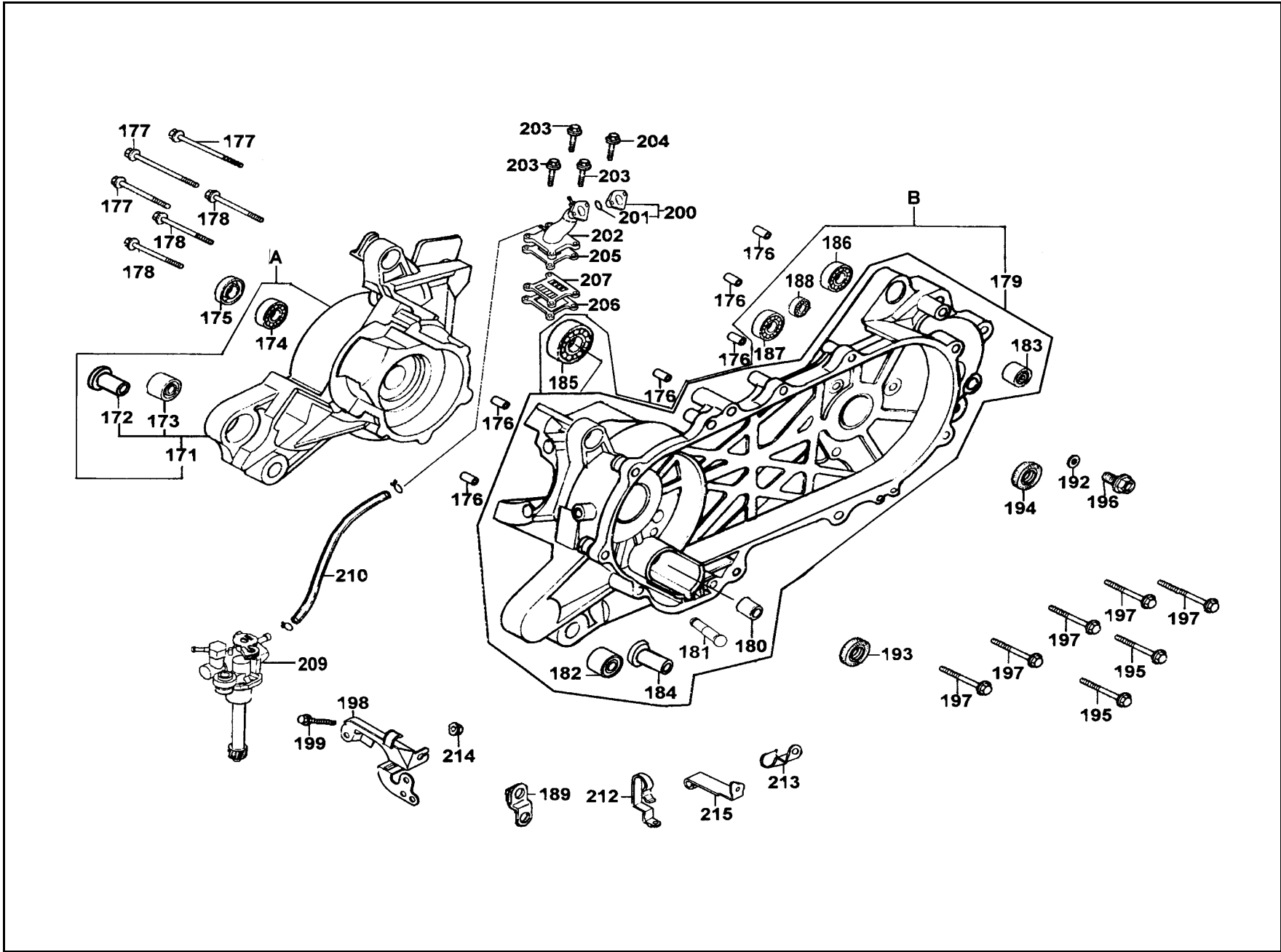


販賣記號	項目	零件號碼	版數	英文名稱	中文名稱	需要用量	參考價
Sales mark	Ref no	Part no	Ver	Description	Chinese	Reqd no	Ref Price
*	151	21200-GAK-9010	1	CASE COMP MISSION	變速箱蓋	1	
*	153	90309-KF0-0030	1	NUT FLANGE 8MM	平螺帽	1	
*	154	91009-GE0-0040	0	BRG BALL RADIAL 6004 UU	軸承	1	
*	155	91004-KN2-9020-M1	0	BRG BALL RADIAL 6201	軸承	2	
*	156	23420-KEB7-9000	0	SHAFT COMP COUNTER	副軸組	1	
*	159	90429-KBN-9010	0	WASHER SIDE 12MM	華司	1	
*	160	23431-KBN-9010-H1	1	SHAFT FINAL	最終軸	1	
*	161	94510-20000	0	CIR CLIP EX 20	夾環	1	
*	162	23432-KEB7-9000	0	GEAR FINAL	最終齒輪	1	
*	163	91255-GE0-0030	0	OIL SEAL 27*42*7	油封	1	
*	164	21395-KBN-9010	1	GASKET MISSION CASE A	主軸蓋墊片	1	
*	165	23411-KEB7-9000	0	SHAFT DRIVE	驅動軸	1	
*	A	11203-KG8-3010	1	PIN BRAKE SHOE ANCHOR	煞車鼓固定銷	1	
*	B	91301-053-0010	0	O RING 7.5*1.5	O環	1	
*	C	21200-GAK-3050	1	CASE ASSY MISSION	變速箱蓋	1	

E

8

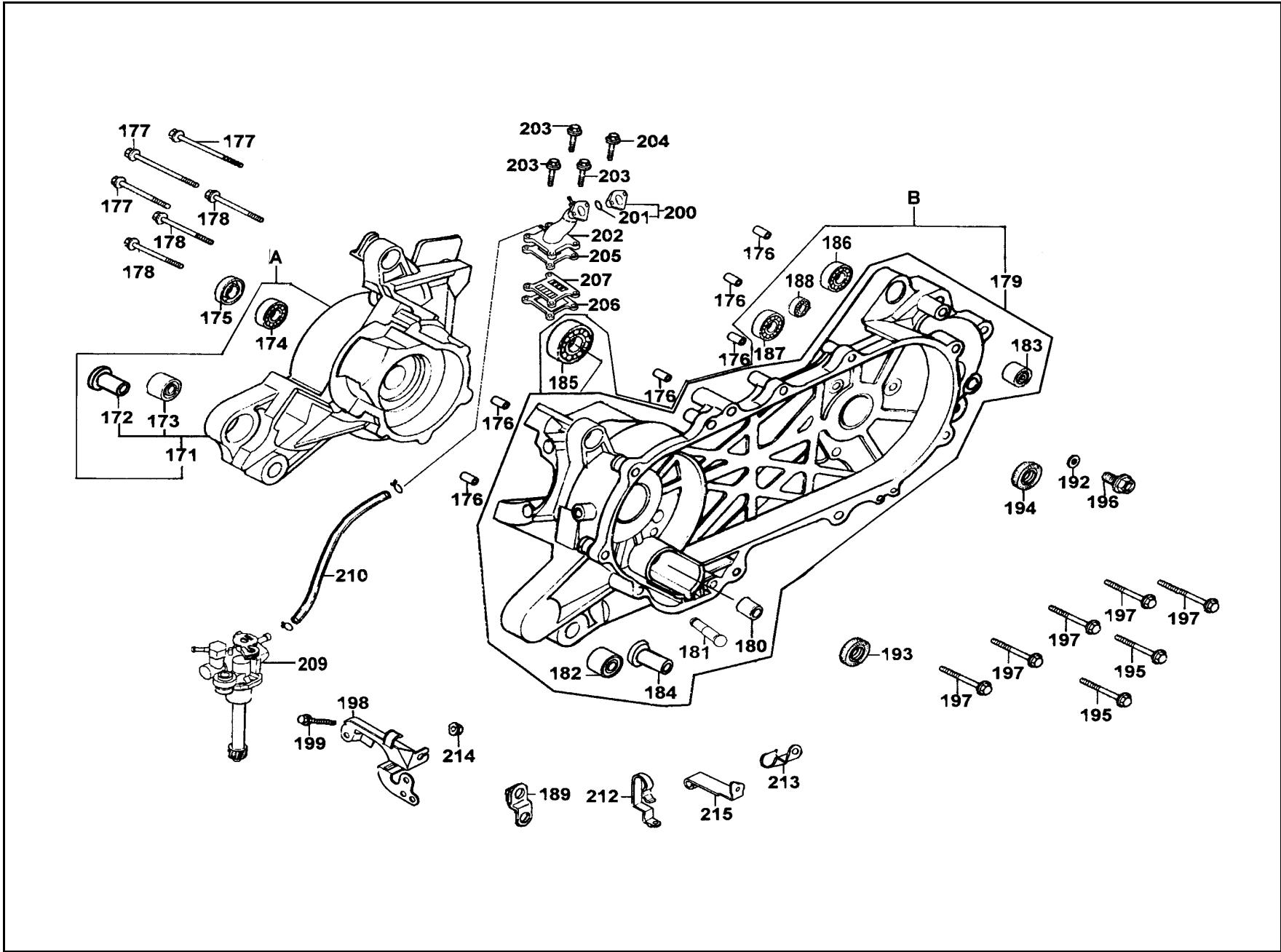
E 9 Crankcase●Oil Pump



販賣記號	項目	零件號碼	版數	英文名稱	中文名稱	需要用量	參考價
Sales mark	Ref no	Part no	Ver	Description	Chinese	Reqd no	Ref Price
*	171	11100-KEB7-9000	4	CRANK CASE COMP RIGHT	右曲軸箱	1	
*	172	11205-KED5-9000-H1	0	BUSH M STAND	襯套	1	
*	173	11102-187-0030	3	RUB BUSH ENG HANGER	引擎吊架襯套	1	
*	174	91001-GW0-9020-M1	3	BRG BALL RADIAL 6204 SPECIAL	軸承	1	
*	175	91201-KBN-9220-M1	0	OIL SEAL 15.6*25.5*7	油封	1	
*	176	94301-10200	0	DOWEL PIN 10*20	插銷	6	
*	177	96001-06045-08	0	BOLT FLANGE SH 6*45	螺栓	3	
*	178	96001-06055-08	0	BOLT FLANGE SH 6*55	螺栓	3	
*	179	11200-KEB7-9000	1	CRANK CASE COMP LEFT	左曲軸箱組	1	
*	180	11205-GAH-0030-H1	0	BUSH 8*12*8	襯套	1	
*	181	11204-KEB7-9000-H1	0	PIN SPG HOOK	固定銷	1	
*	182	11102-187-0030	3	RUB BUSH ENG HANGER	引擎吊架襯套	1	
*	183	11203-GC7-3010	2	UNDER RUBBER BUSH REAR CUSHION	後緩衝下襯套	1	
*	184	11205-KED5-9000-H1	0	BUSH M STAND	襯套	1	
*	185	91006-KBN-9010	1	BRG BALL RADIAL 25*56*12	軸承	1	
*	186	96100-62033-00	0	BEARING BALL RADIAL 6203	徑向滾珠軸承	1	
*	187	91004-KBN-9220-M1	0	BRG BALL RADIAL 6203	軸承	1	
*	188	91004-KN2-9020-M1	0	BRG BALL RADIAL 6201	軸承	1	
*	189	11206-KEB7-9000	0	STAY RR FENDER	後土除支柱	1	
*	192	90474-333-0010	0	WASHER 8MM	華司	1	

E
9

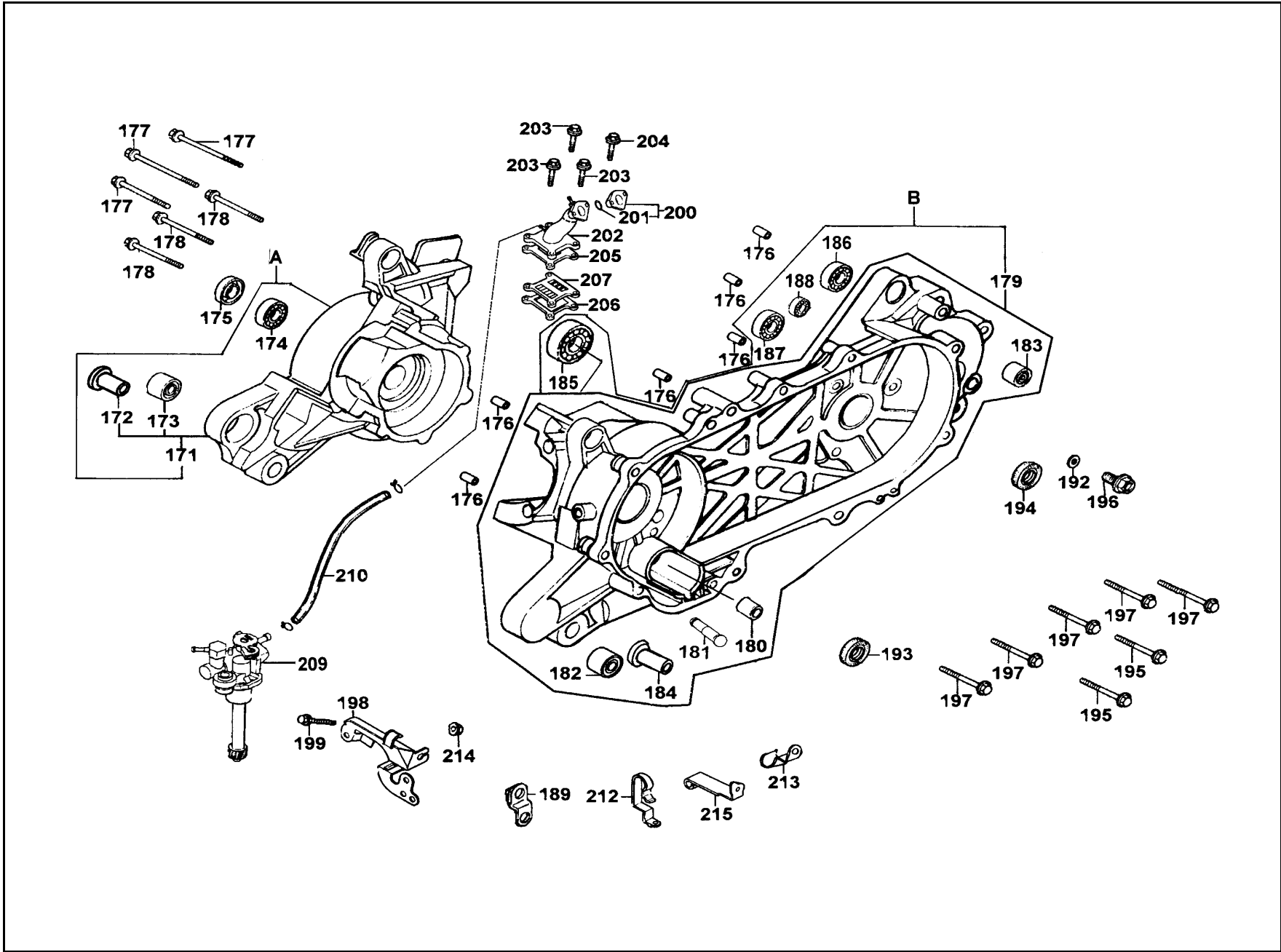
E 9 Crankcase●Oil Pump



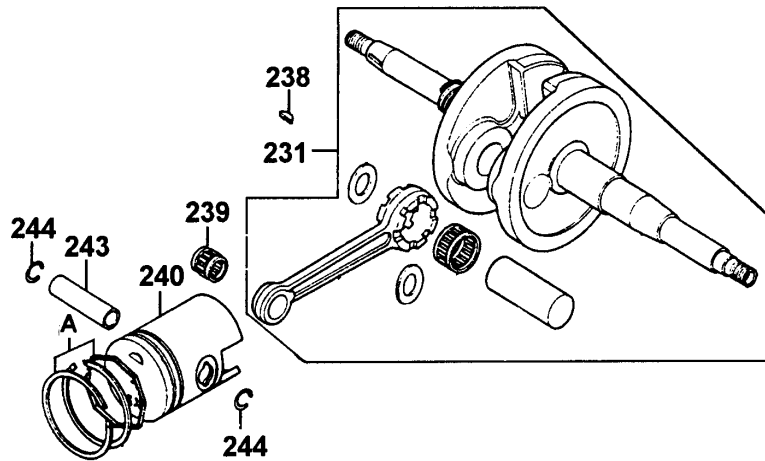
販賣記號	項目	零件號碼	版數	英文名稱	中文名稱	需要用量	參考價
Sales mark	Ref no	Part no	Ver	Description	Chinese	Reqd no	Ref Price
*	193	91202-KBN-9220-M1	0	OIL SEAL 20*31*7	油封	1	
*	194	91204-KBN-9020-M1	1	OIL SEAL 17*30*6	油封	1	
*	195	95801-08035-08	0	BOLT FLANGE 8*35	螺絲	2	
*	196	90035-KBN-9010	0	BOLT OIL DRAIN	螺絲	1	
*	197	95701-08040-08	0	BOLT FLANGE 8*40	螺絲	5	
*	198	15110-KEB7-9000	0	PLATE OIL PUMP SET	機油泵支架	1	
*	199	96001-06032-08	0	BOLT FLANGE SH 6*32	螺栓	1	
*	200	1621A-GAK-9010	0	INSULATOR CARB ASSY	絕緣器	1	
*	201	91304-GB0-9110	0	O RING 20.6*1.9	O環	1	
*	202	17100-KEB7-9010	0	PIPE COMP INLET	進氣管	1	
*	203	96001-06025-08	0	BOLT FLANGE SH 6*25	螺絲 6*25	3	
*	204	96001-06025-08	0	BOLT FLANGE SH 6*25	螺絲 6*25	1	
*	205	17111-KEB7-9000	0	GASKET INLET PIPE A	進氣管墊片	1	
*	206	17112-KEB7-9000	0	GASKET INLET PIPE B	簧片閥門墊片	1	
*	207	14100-KEB7-9000	0	VALVE COMP REED	簧片閥門	1	
*	209	15100-GAK-9500	13	PUMP ASSY OIL	機油泵浦組	1	
*	210	1552A-Keb8-9000	0	TUBE ASSY OIL PASS	噴合油管組	1	
*	212	15115-KBN-9200	0	CLAMPER OIL TUBE	管夾	1	
*	213	11208-GAK-9010	0	CLAMPER CARB DRAIN	管夾	1	
*	214	94050-06080	0	NUT FLANGE 6MM	螺帽	1	

E
9

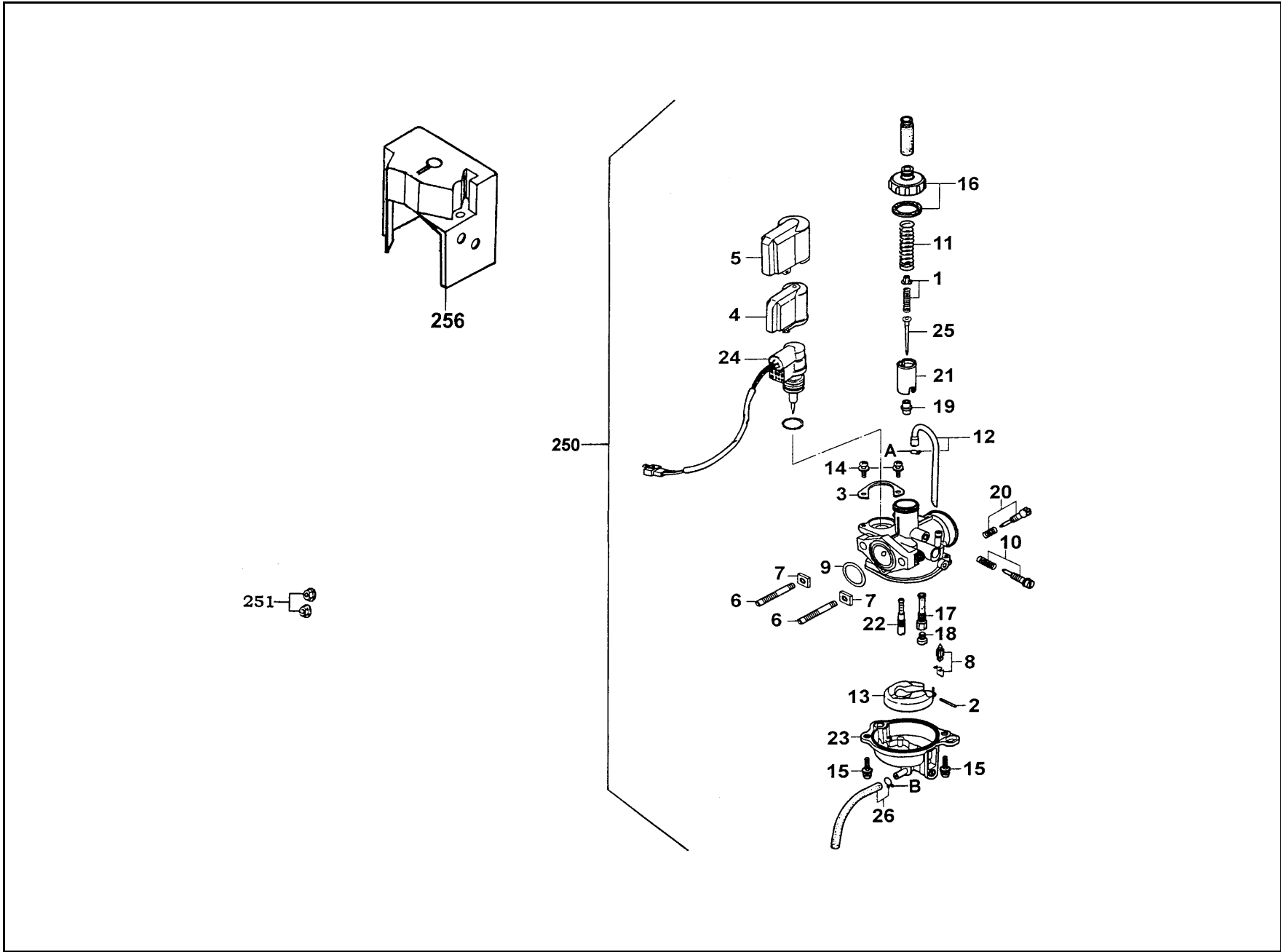
E 9 Crankcase●Oil Pump



E 10 Crankshaft●Piston

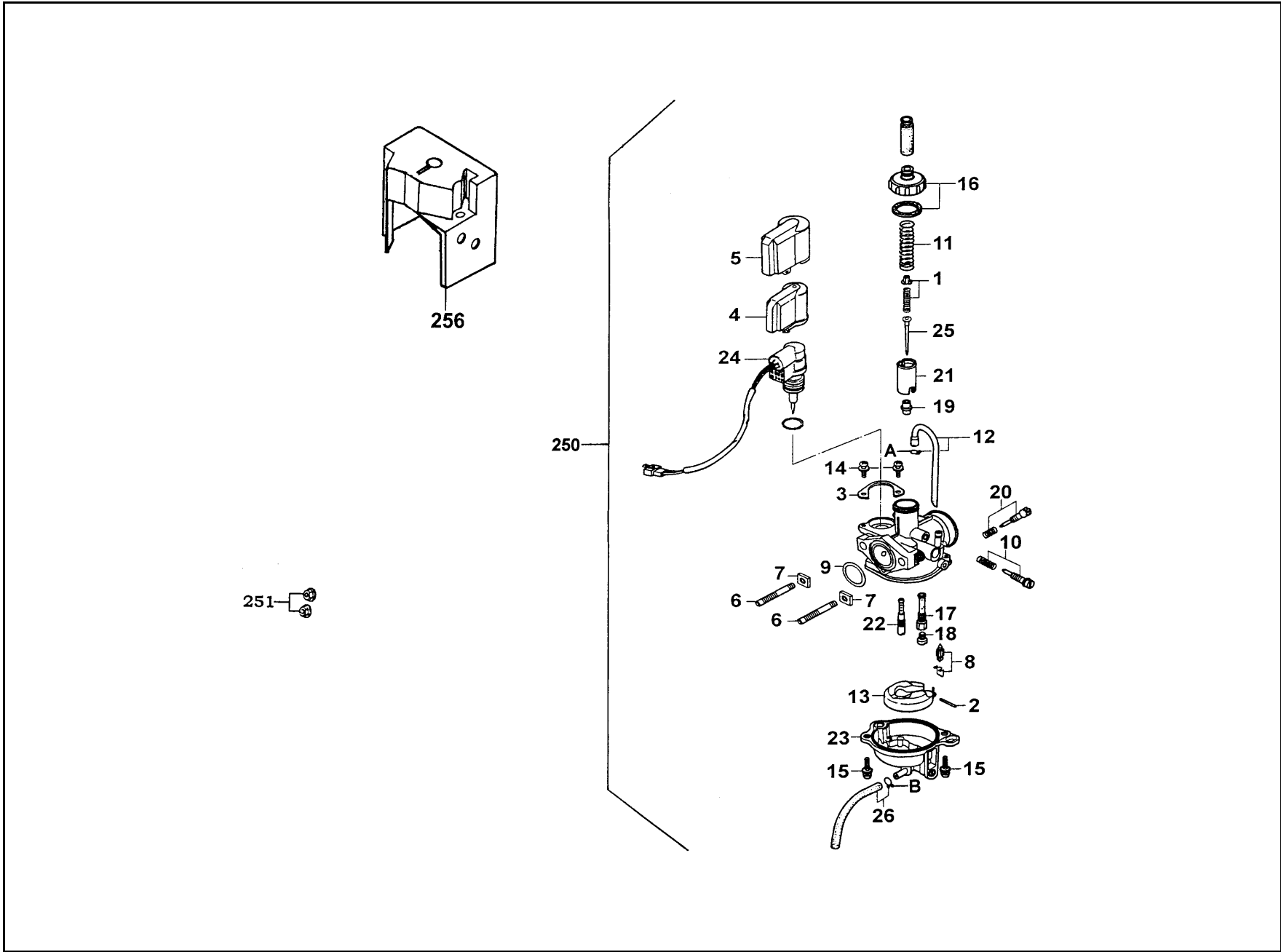


E 11 Carburetor

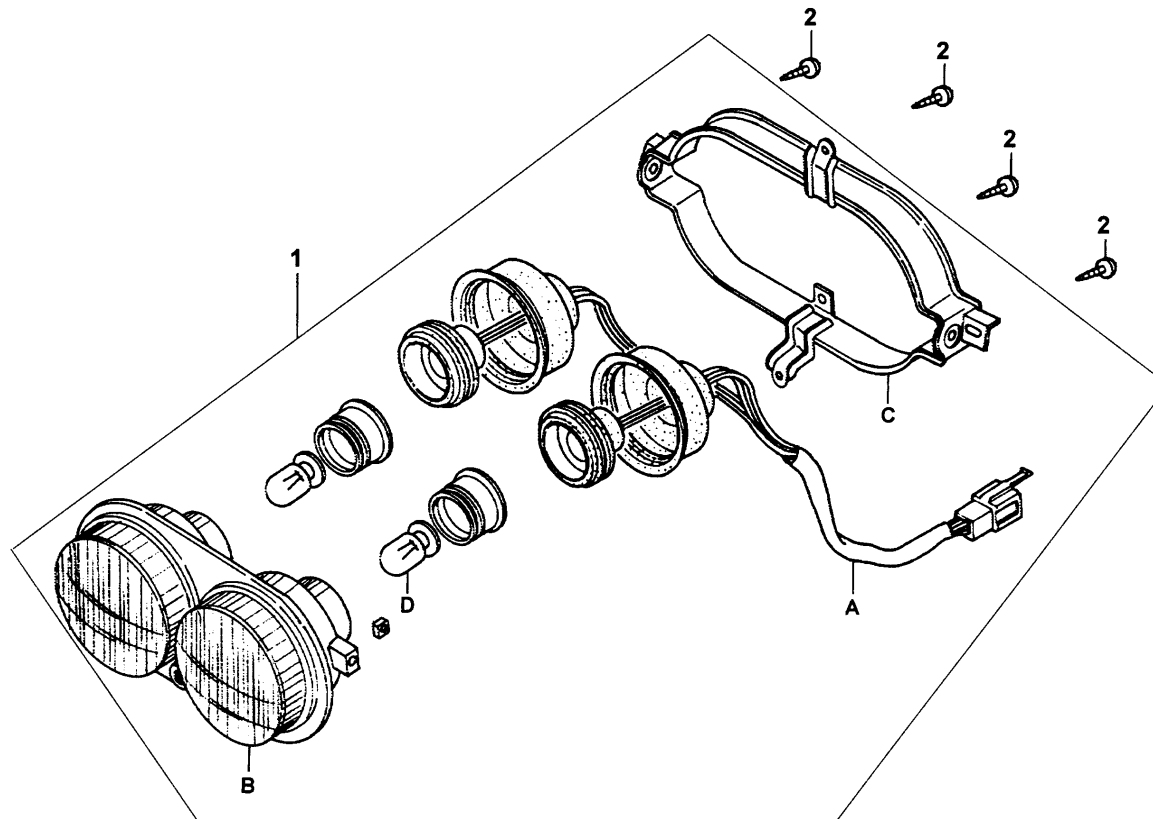


販賣記號	項目	零件號碼	版數	英文名稱	中文名稱	需要用量	參考價
Sales mark	Ref no	Part no	Ver	Description	Chinese	Reqd no	Ref Price
*	1	D19KT-001-0300	0	VALVE PLATE SET	節流活塞閥固定板	1	
*	2	D19KT-001-0800	0	ARM PIN	浮筒閥臂銷	1	
*	3	D19KT-001-1800	0	SET PLATE	固定板	1	
*	4	D19KT-001-2000	0	HOLDER CAP	自動起動閥蓋	1	
*	5	D19KT-001-3200	0	OUTER CAP	保護蓋	1	
*	6	D19KT-001-3800	0	STUD BOLT	雙頭螺絲	2	
*	7	D19KT-001-3900	0	HEX NUT	螺帽	2	
*	8	D19KT-003-0700	0	FLOAT VALVE SET	浮筒閥	1	
*	9	D19KT-003-1500	0	O-RING	O環	1	
*	10	D19KT-003-1600	0	SCREW SET	螺絲組	1	
*	11	D19KT-004-0200	0	SPG COMPR	彈簧	1	
*	12	D19KT-004-2100	0	TUBE SET (A.V)	空氣管	1	
*	13	D19KT-005-1300	0	FLOAT COMP	浮筒組	1	
*	14	D19KT-005-1900	0	SCREW WASHER	螺絲 4*8	2	
*	15	D19KT-006-1900	0	SCREW WASHER	螺絲 4*12	2	
*	16	D19KT-007-0100	0	TOP SET	節流活塞閥蓋	1	
*	17	D19KT-008-0900	0	NEEDLE JET HOLDER	噴針座	1	
*	18	D19KT-013-1000	0	MAIN JET #85	主噴油嘴 #85	1	
*	19	D19KT-014-0600	0	NEEDLE JET	小噴油嘴	1	
*	20	D19KT-015-1400	0	SCREW SET	螺絲組	1	

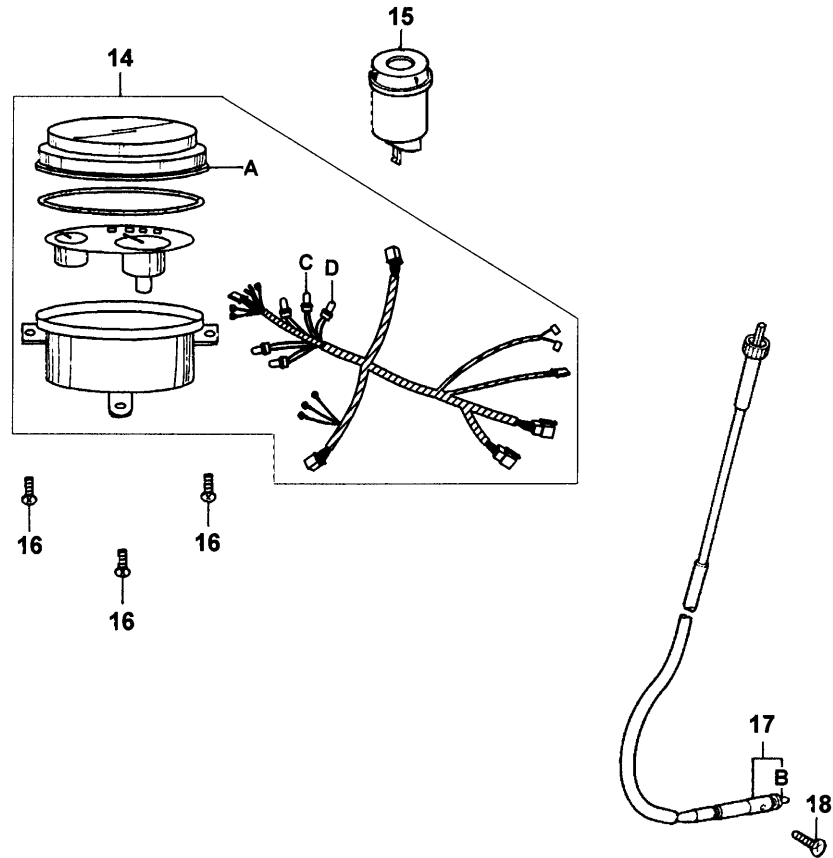
E 11 Carburetor



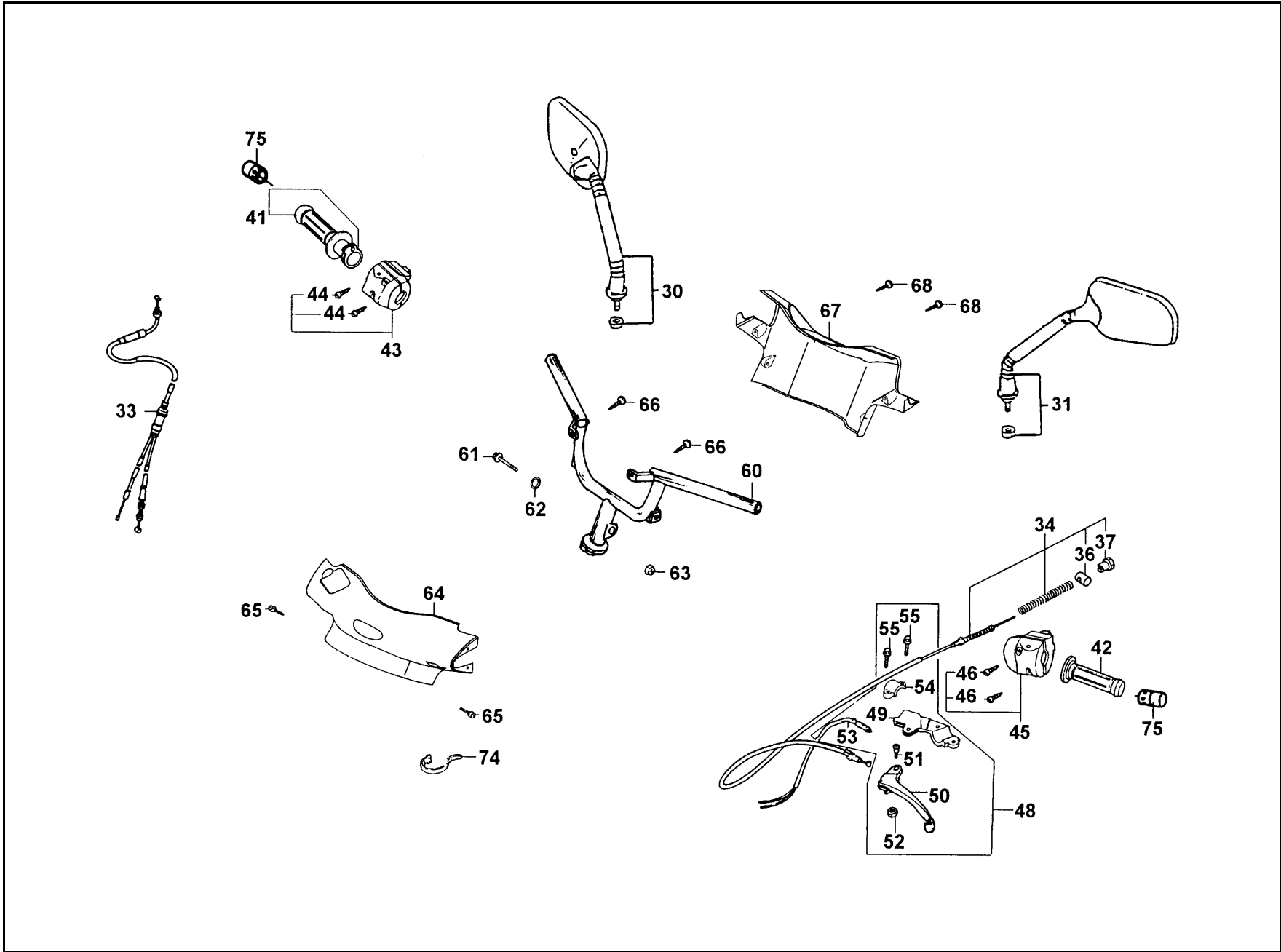
F 1 Head Light



F 2 Speedometer



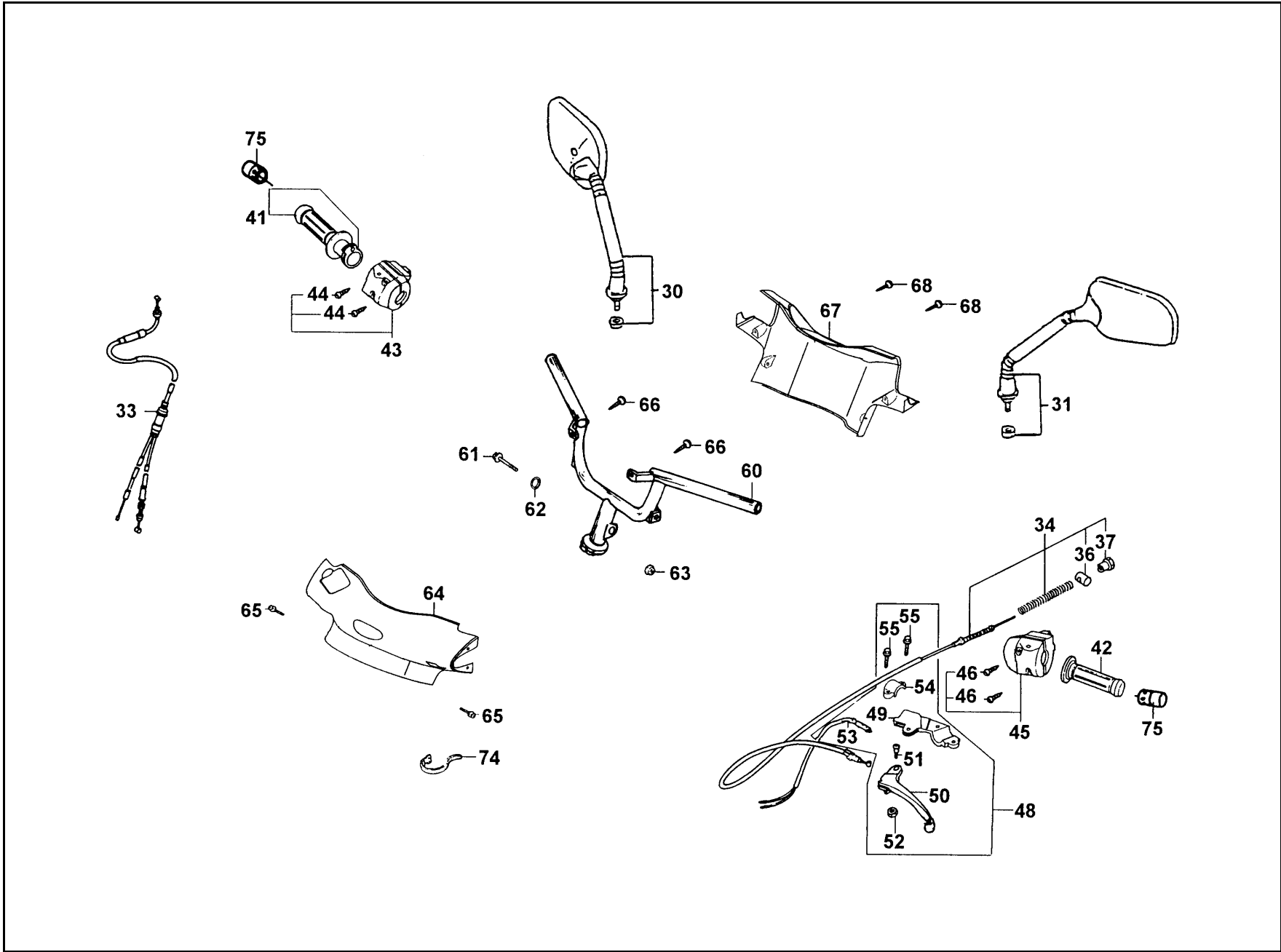
F 3 Handle Steering ● Handle Cover



販賣記號	項目	零件號碼	版數	英文名稱	中文名稱	需要用量	參考價
Sales mark	Ref no	Part no	Ver	Description	Chinese	Reqd no	Ref Price
**	30	88110-KEB7-E000	0	MIRROR ASSY R BACK	右後視鏡	1	
**	31	88120-KEB7-E000	0	MIRROR ASSY L BACK	左後視鏡	1	
*	33	17910-KEB7-9000	0	CABLE COMP THROT	節流導線	1	
*	34	43450-KEB7-9000	7	CABLE COMP RR BRK	後煞車導線	1	
*	36	95015-32001	0	JOINT B BRAKE ARM	煞車臂連結器	1	
*	37	95015-42000	0	NUT B ADJUST	煞車間繫調整螺帽	1	
*	41	53140-KBN-9600	0	GRIP COMP THROT	節流管套組	1	
*	42	53166-KBN-9100	0	GRIP L HANDLE	手柄左橡皮套	1	
*	43	3515A-KFA6-M000-US	0	SW ASSY RH HNDL COMP	手柄右邊開關組	1	
*	44	93500-05025-1B	0	SCREW PAN 5*25	螺絲	2	
*	45	3520A-KGBG-E000	2	SW ASSY LH HNDL COMP	手柄左邊開關組	1	
*	46	93500-05025-OH	0	SCREW PAN 5*25	螺絲	2	
*	48	5317B-KEB7-9000	0	BRKT ASSY HNDL L	手煞車拉桿	1	
*	49	53172-KCT-9000	0	BRKT HNDL L	左拉桿托架	1	
*	50	53178-GAK-9010	0	LEVER L STRG HNDL	左拉桿	1	
*	51	90115-GE0-0010	0	BOLT HNDL LEVER PIVOT	拉桿螺絲	1	
*	52	94001-05080-0S	0	NUT HEX 5MM	螺帽	1	
*	53	35340-KJ9-0100	4	SW ASSY FR STOP	剎車燈前置開關組	1	
*	54	45517-GY6-9000	4	HOLDER HNDL BRKT	手柄固定座夾板	1	
*	55	95701-06025-08	0	BOLT FLANGE 6*25	螺絲	2	

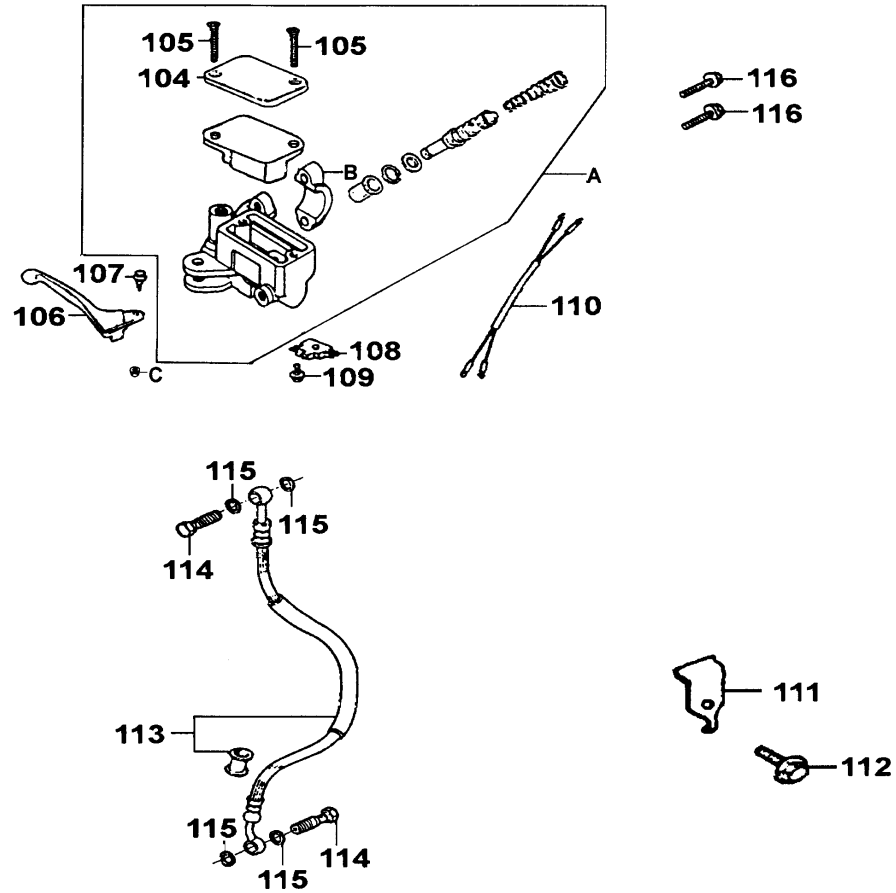
F
3

F 3 Handle Steering ● Handle Cover



販賣記號	項目	零件號碼	版數	英文名稱	中文名稱	需要用量	參考價
Sales mark	Ref no	Part no	Ver	Description	Chinese	Reqd no	Ref Price
*	60	53100-KEB7-9000	0	HANDLE COMP STRG	轉向手柄	1	
*	61	95801-10040-08	0	BOLT FLANGE 10*40	特殊螺絲	1	
*	62	94101-10800	0	WASHER PLAIN 10MM	平華司	2	
*	63	90304-GE8-0030	1	NUT U 10MM	螺帽	1	
**	64	53205-KEB7-8000	2	COVER FR HANDLE	手柄前蓋	1	
*	65	90110-KEB7-9000	0	SCREW SPECIAL 6*14	螺絲	2	
*	66	93903-34380	0	SCREW TAPPING 4*12	螺釘 4*12	2	
**	67	53206-KEB7-9000	1	COVER RR HANDLE	手柄後蓋	1	
*	68	93903-34380	0	SCREW TAPPING 4*12	螺釘	2	
*	74	90656-GY6-9110	0	BAND OIL HOSE	油管束帶	3	
*	75	53105-KBN-9100	0	END STRG HANDLE	手柄平衡端子	2	

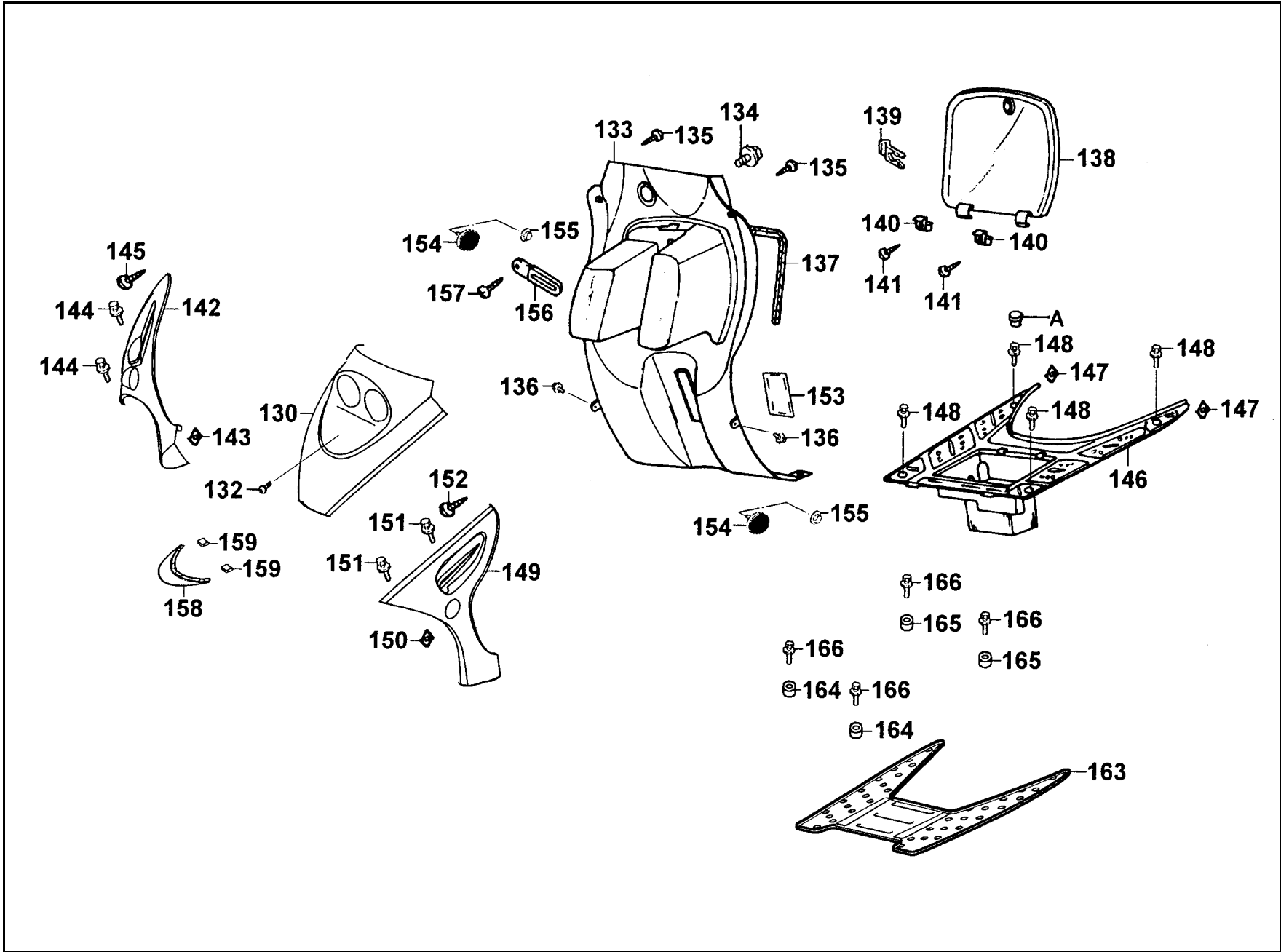
F 4 Front Brake Master Cylinder



販賣記號	項目	零件號碼	版數	英文名稱	中文名稱	需要用量	參考價
Sales mark	Ref no	Part no	Ver	Description	Chinese	Reqd no	Ref Price
*	104	45513-KEB7-M000-US	0	CAP M/C	煞車主油缸蓋	1	
*	105	93600-04012-1G	0	SCREW FLAT 4*12	螺絲	2	
*	106	53175-KCT-9000	1	LEVER R STRG HNDL	手柄右拉桿	1	
*	107	90114-166-0070	1	BOLT HANDLE LEVER	右拉桿固定螺栓	1	
*	108	35340-KBN-9000	0	SW ASSY FR STOP	剎車燈前置開關組	1	
*	109	93893-04012-18	0	SCREW WASHER 4*12	螺絲	1	
*	110	32101-GY6-9000	1	SUB CORD R	煞車燈開關右配線	1	
*	111	43452-GAK-9000	0	CLAMP BRK CABLE	導線夾	1	
*	112	96001-06012-08	0	BOLT FLANGE SH 6*12	凸緣螺栓	1	
*	113	45126-KEB7-9000	2	HOSE ASSY FR BRK	前煞車油管	1	
*	114	90145-MS9-6120-M1	0	OIL BOLT 10*22	油管螺絲	2	
*	115	90545-300-0010	2	WASHER OIL BOLT	華司	4	
*	116	95701-06022-07	0	BOLT FLANGE 6*22	螺絲	2	
*	A	45530-KEB7-3050-US	0	CYLN SET MASTER	前煞車主油缸組	1	
*	B	45517-KAF-9000	0	HOLDER M/C	煞車主油缸固定座	1	
*	C	94050-06080	0	NUT FLANGE 6MM	螺帽 6MM	1	

F
4

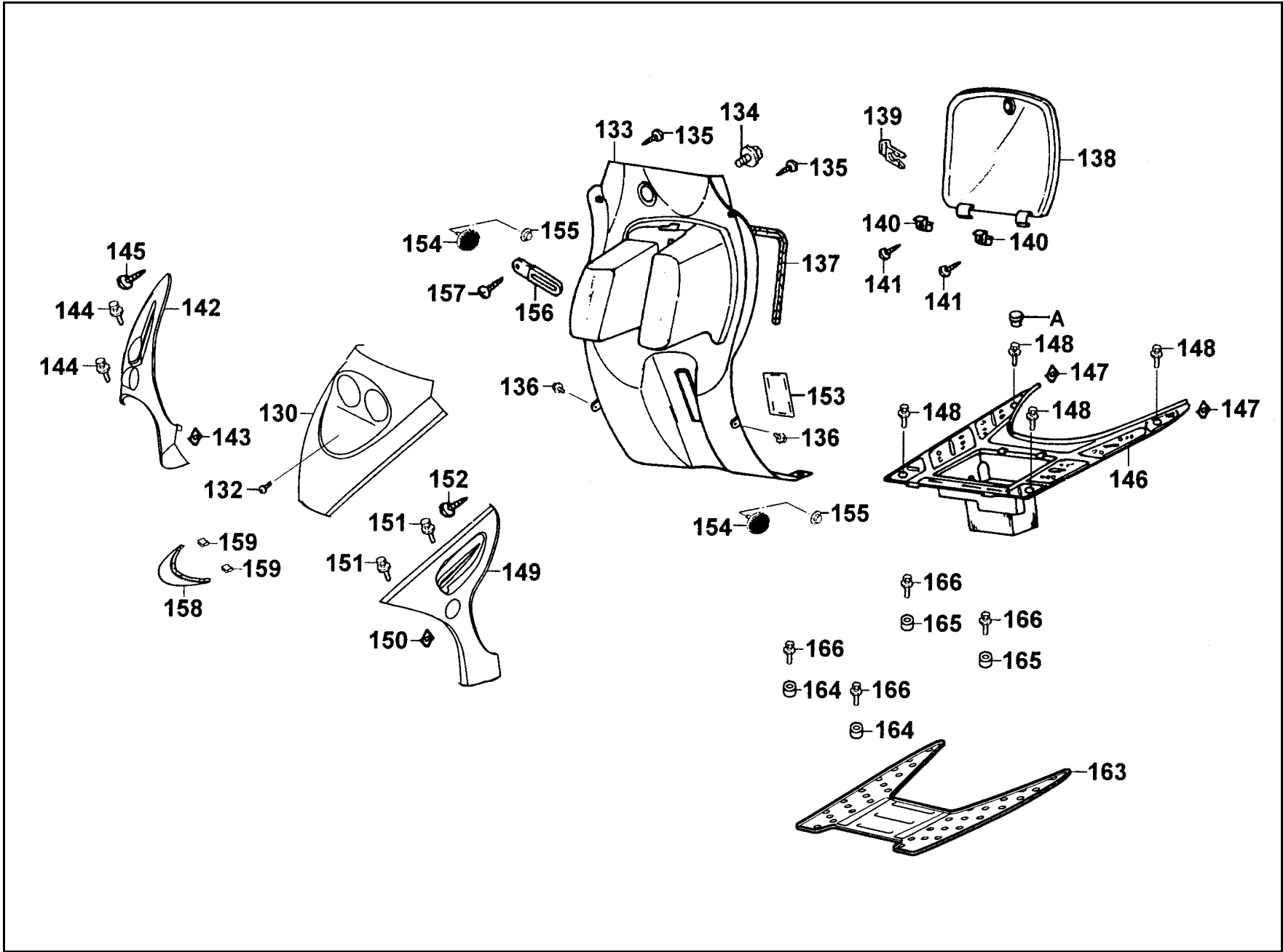
F 5 Font Cover ● Step Floor ● Inner Box



販賣記號	項目	零件號碼	版數	英文名稱	中文名稱	需要用量	參考價
Sales mark	Ref no	Part no	Ver	Description	Chinese	Reqd no	Ref Price
**	130	64301-KEB7-8000	0	COVER FRONT	前蓋	1	
*	132	90110-KEB7-9000	0	SCREW SPECIAL 6*14	螺絲	1	
**	133	81131-KEB7-9000	0	LEG SHIELD	行李箱	1	
*	134	93404-06016-08	0	BOLT WASHER 6*16	螺絲	1	
*	135	93903-34380	0	SCREW TAPPING 4*12	螺絲	2	
*	136	93404-06016-07	0	BOLT WASHER 6*16	螺絲	2	
*	137	81146-GN2-0010	0	SEAL RUBBER A	內箱防水封	1	
**	138	81141-KEB7-9000	1	LID INNER BOX	內箱蓋	1	
*	139	75581-673-0010	0	SET SPG LOCK KET	鑰匙鎖固定彈簧	1	
*	140	81142-KCA-9000	0	STAY LID INNER BOX	導線鉤支柱	2	
*	141	93903-34380	0	SCREW TAPPING 4*12	螺絲	2	
**	142	64304-KEB7-E000	1	COVER R SIDE /painted	右邊蓋	1	
**	142	64304-KEB7-9000	1	COVER R SIDE /No painted	右邊蓋	1	
*	143	90302-SA4-0030	1	NUT SPRING 4MM	螺帽	1	
*	144	90302-GY6-9000	0	BOLT WASH 5*12	螺絲	2	
*	145	93903-34380	0	SCREW TAPPING 4*12	螺絲	1	
**	146	64310-KEB7-9000	0	FLOOR PANEL	腳踏板	1	
*	147	90302-SA4-0030	1	NUT SPRING 4MM	螺帽	1	
*	148	93404-06020-07	0	BOLT WASHER 6*20	螺絲	4	
**	149	64305-KEB7-E000	0	COVER L SIDE /painted	左邊蓋	1	

F
5

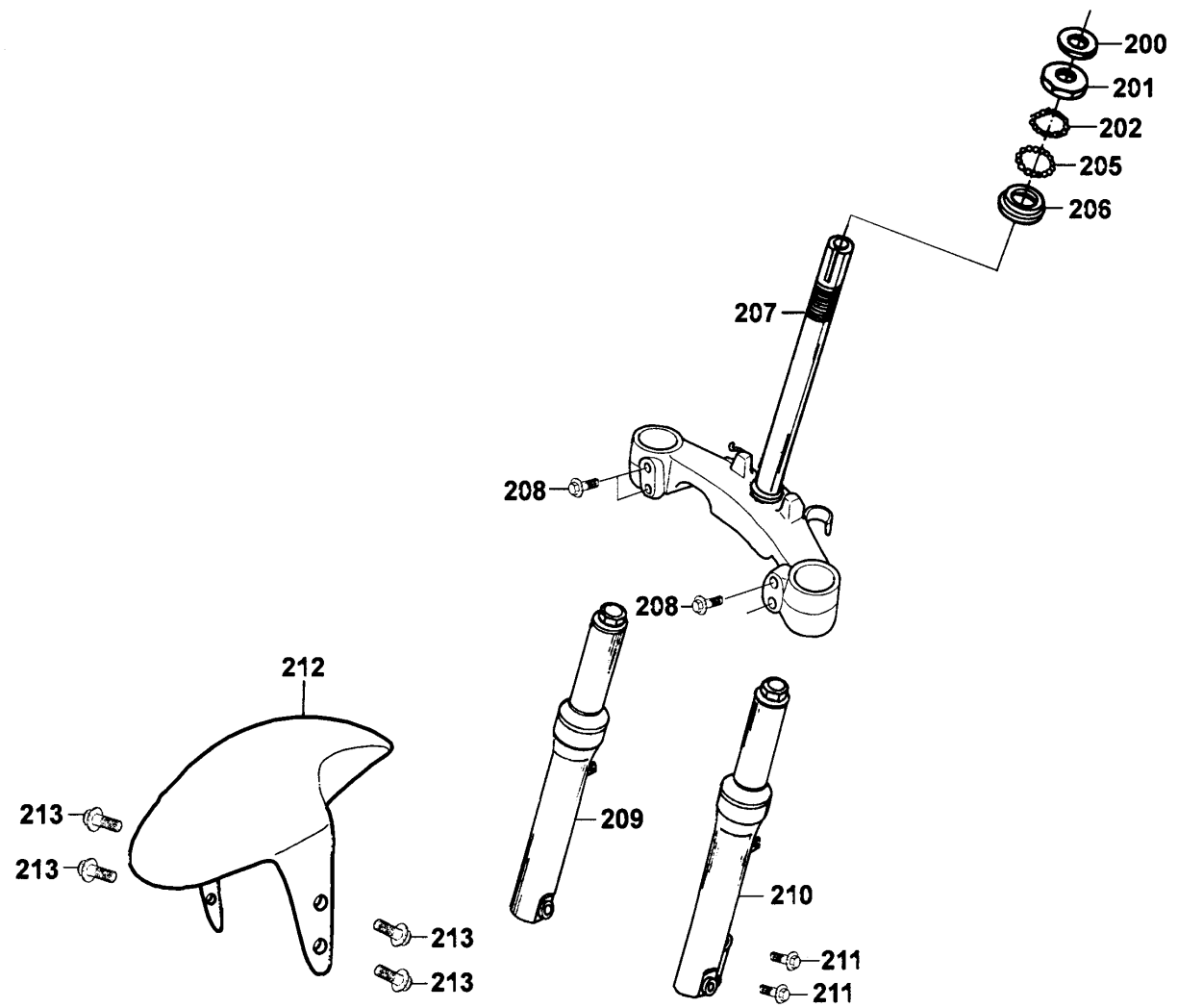
F 5 Font Cover ● Step Floor ● Inner Box



販賣記號	項目	零件號碼	版數	英文名稱	中文名稱	需要用量	參考價
Sales mark	Ref no	Part no	Ver	Description	Chinese	Reqd no	Ref Price
**	149	64305-KEB7-9000	0	COVER L SIDE /No painted	左邊蓋	1	
*	150	90302-SA4-0030	1	NUT SPRING 4MM	螺帽	2	
*	151	90302-GY6-9000	0	BOLT WASH 5*12	螺絲	2	
*	152	93903-34380	0	SCREW TAPPING 4*12	螺絲	1	
**	153	81132-KEB7-9000	0	LID LEG SHIELD	內箱蓋	1	
*	154	33741-GY6-C300	1	REFLEX REFLECTOR	反光鏡片	2	
*	155	94050-06080	0	NUT FLANGE 6MM	螺帽	2	
*	156	94591-21000	0	CLIP 2*100	夾	1	
*	157	93903-34380	0	SCREW TAPPING 4*12	螺絲	1	
**	158	64302-KEB7-9000	0	SPOILER FRONT	前擾流罩	1	
*	159	64303-KEB7-9000	0	CLIP SPOILER	管夾	2	
*	163	64312-KEB7-E000	0	COVER FLOOR	踏板蓋	1	
*	164	64313-KEB7-E000	0	COLLAR FR FLOOR	套筒	2	
*	165	64314-KEB7-E000	0	COLLAR RR FLOOR	套筒	2	
*	166	95701-06028-08	0	BOLT FLANGE 6*28	螺絲	4	
*	A	64316-KEB7-9000	0	PLUG FLOOR PANEL	螺絲護蓋	4	

F
5

F 6 Front Cushion



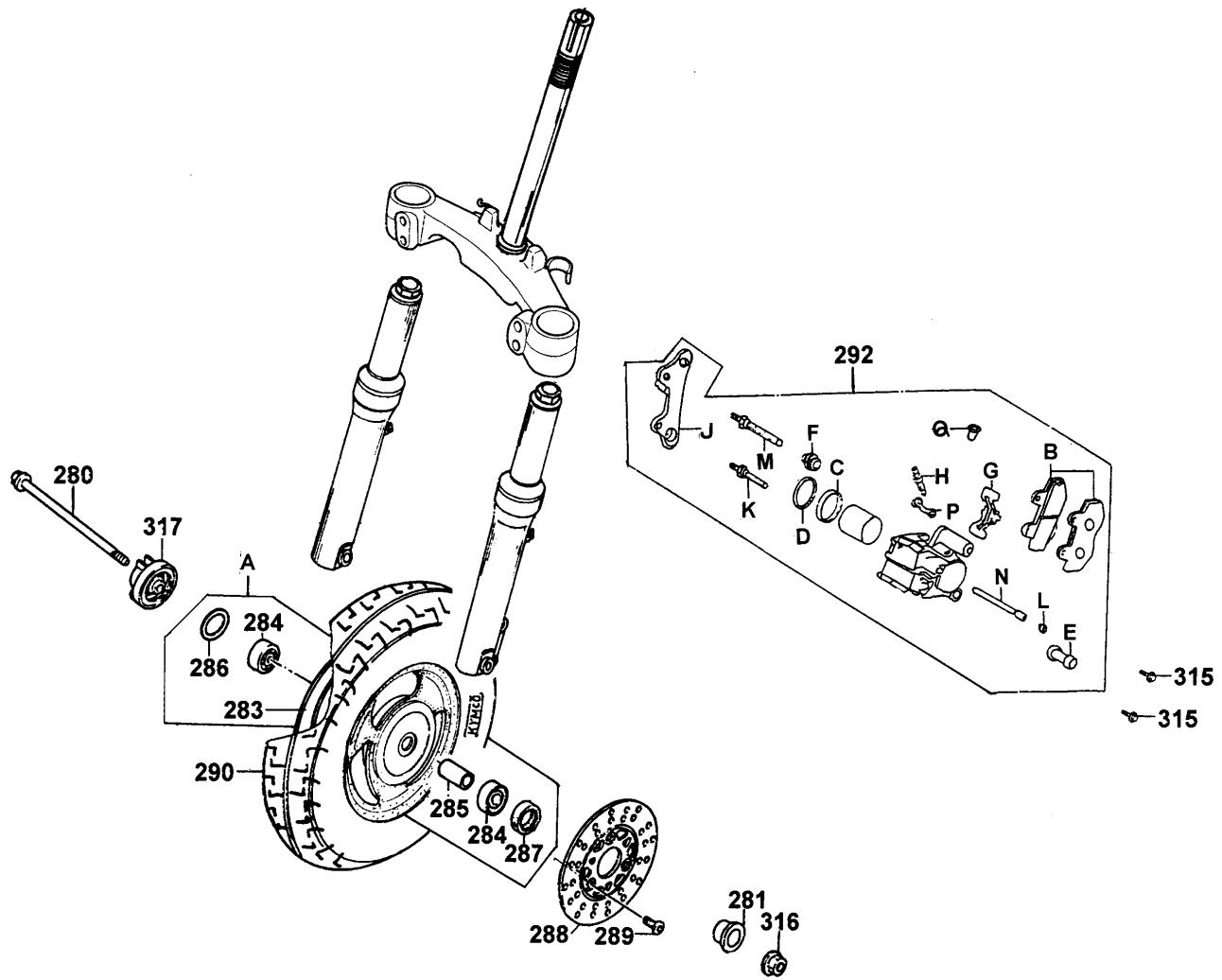
販賣記號	項目	零件號碼	版數	英文名稱	中文名稱	需要用量	參考價
Sales mark	Ref no	Part no	Ver	Description	Chinese	Reqd no	Ref Price
*	200	50306-196-0010	0	NUT STRG STEM LOCK	主幹螺帽	1	
*	201	53211-GY6-9400	0	RACE STRG TOP CONE	上錐體座圈	1	
*	202	96211-05000	0	BALL STEEL 5	鋼珠	26	
*	205	96211-05000	0	BALL STEEL 5	鋼珠	29	
*	206	53212-GC8-0040	2	RACE STRG BOT CONE	下錐體座圈	1	
*	207	53200-KEB7-E000	5	STEM COMP STRG	轉向桿	1	
*	208	95801-08040-08	0	BOLT FLANGE 8*40	螺絲	4	
**	209	5140A-KEB7-8100	9	FORK SET R FR	右前避震器	1	
**	210	5150A-KEB7-8100	10	FORK SET L FR	左前避震器	1	
*	211	95701-06012-08	0	BOLT FLANGE 6*12	螺絲	1	
**	212	61110-KEB7-8000	0	FENDER FR	前土除	1	
*	213	90110-KEB7-9000	0	SCREW SPECIAL 6*14	螺絲	4	

F
6

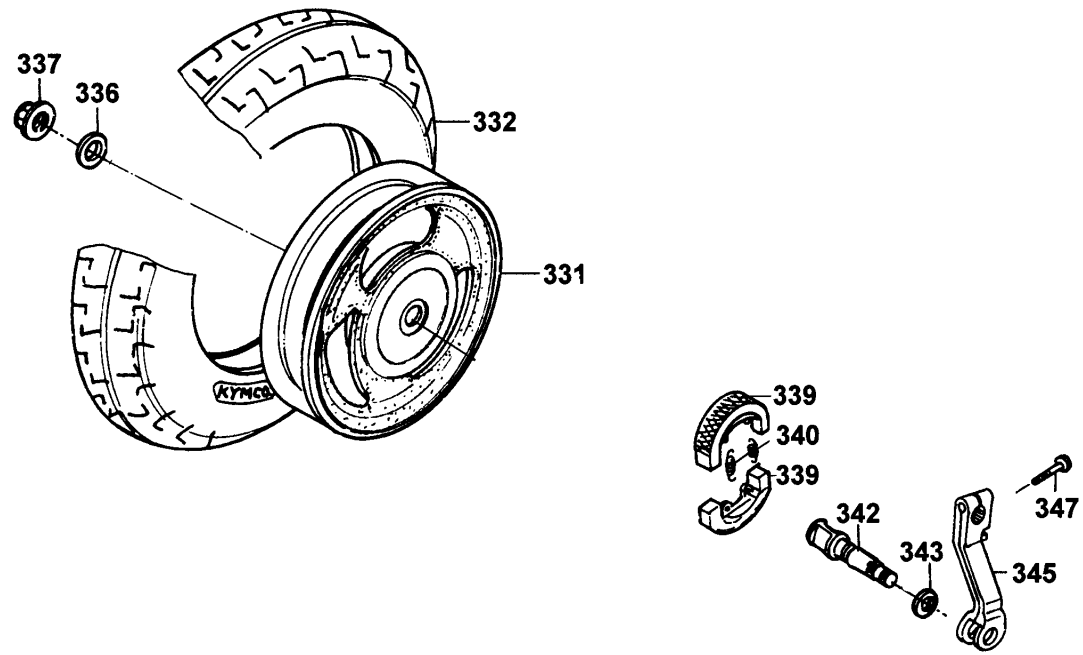
販賣記號	項目	零件號碼	版數	英文名稱	中文名稱	需要用量	參考價
Sales mark	Ref no	Part no	Ver	Description	Chinese	Reqd no	Ref Price
*	280	90121-KE2-9800	2	BOLT RR FORK PIVOT	後叉軸螺絲	1	
*	281	44311-GW0-9110	0	COLLAR FR WHEEL SIDE	前輪邊套筒	1	
**	283	44601-KEB7-E100	0	WHEEL FR CAST	前輪圈	1	
*	284	90912-GC8-0000	0	BEARING 6201	軸承	2	
*	285	44620-KEB7-E000	0	COLLAR,FR DIST	前輪軸距套筒	1	
*	286	90754-GC8-0000	0	SEAL DUST 20*32*5	油封	1	
*	287	91258-KM1-0000	0	SEAL SPDMT GEAR BOX	油封	1	
*	288	45121-KCE-9000	1	DISK FR BRAKE	前煞車圓盤	1	
*	289	90105-KR3-0010	1	BOLT FR DISK 8*24	前煞車圓盤螺絲	3	
*	290	44710-KEB7-E100-M1	0	TIRE ASSY FR	前輪胎	1	
*	290	44710-KEB7-E100-M2	0	TIRE ASSY FR	前輪胎	1	
*	292	45100-KCX-E000	3	CALIPER ASSY FR L	前煞車卡鉗	1	
*	315	90131-GW0-9110	0	BOLT FLANGE 8*35	特殊螺絲	2	
*	316	90306-GW0-9020-M1	0	NUT U FLANGE 12MM	螺帽	1	
*	317	44800-KCX-E000	4	GEAR BOX ASSY SPDMT	速度齒輪箱組	1	
**	A	44650-KEB7-3150	0	WHEEL SET FR	前輪圈	1	
*	B	45105-KCX-E050	1	PAD ASSY	摩擦板組	1	
*	C	43209-MA3-0070	0	SEAL PISTON	油封	1	
*	D	43109-MA3-0070	0	DUST SEAL	防塵封	1	
*	E	45132-166-0160	0	BUST BOOT PIN	卡鉗襯套	1	

F
7

F 7 Front Wheel



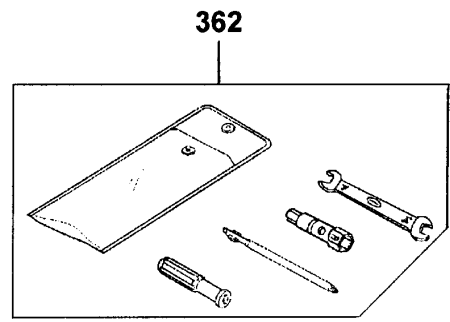
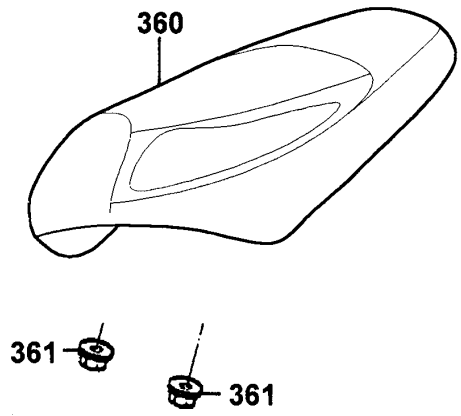
F 8 Rear Wheel



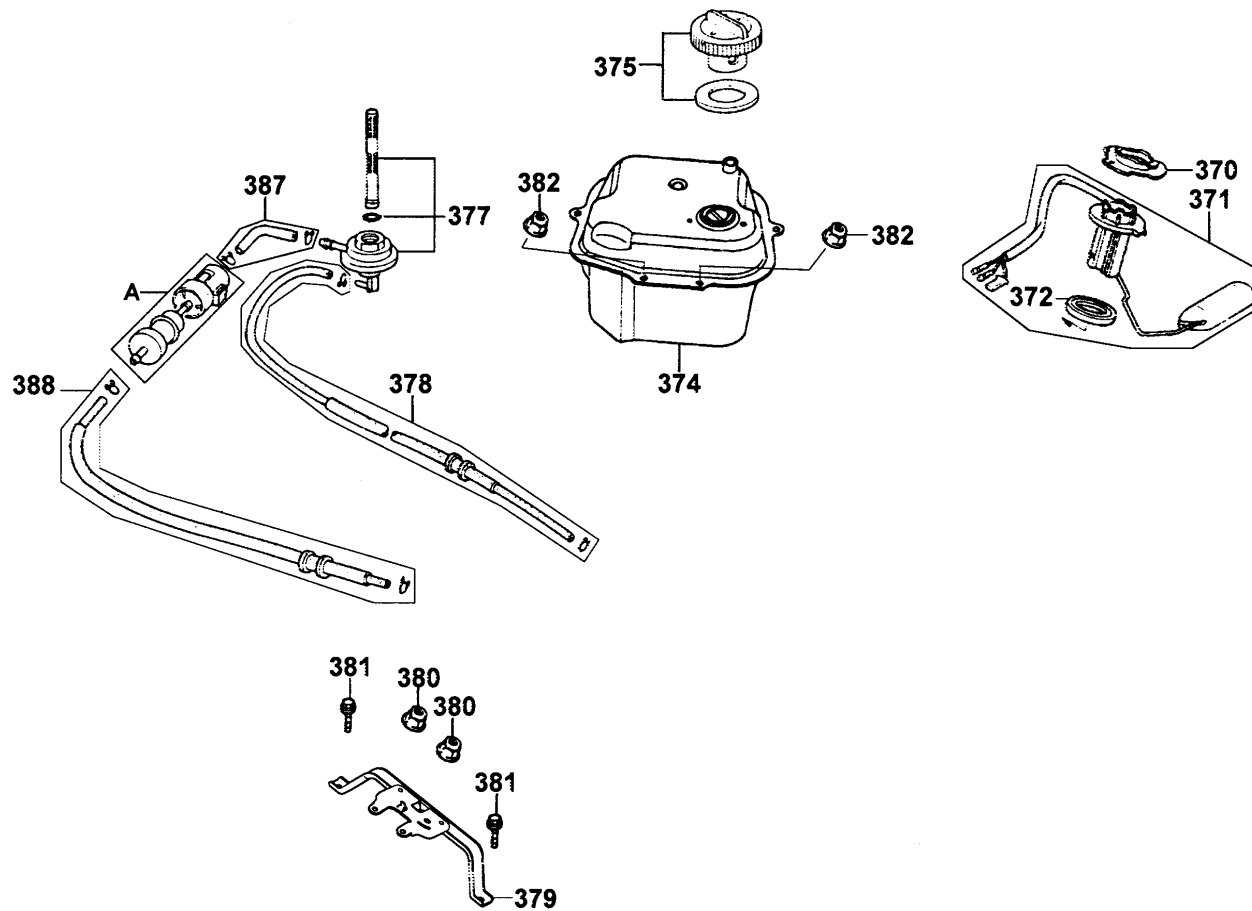
販賣記號	項目	零件號碼	版數	英文名稱	中文名稱	需要用量	參考價
Sales mark	Ref no	Part no	Ver	Description	Chinese	Reqd no	Ref Price
**	331	42601-KEB7-E100	0	WHEEL COMP RR CAST	後輪殼	1	
*	332	42710-KEB7-E100-M1	0	TIRE ASSY RR	後輪胎	1	
*	332	42710-KEB7-E100-M2	0	TIRE ASSY RR	後輪胎	1	
*	336	90501-KBN-9010	0	WASHER 16MM	華司	1	
*	337	90305-KBN-9030-M2	0	NUT U 16MM	螺帽	1	
*	339	43120-GW2-9020-M1	1	SHOE COMP RR BRAKE	後煞車鞋	2	
*	340	45133-028-0000	1	SPRING BRAKE SHOE	剎車鞋彈簧	2	
*	342	43141-GAK-9000	0	CAM RR BRK	後剎車凸輪	1	
*	343	91352-KG8-9330-M2	0	O-RING 11.3*1.3	O環	1	
*	345	43410-KEB7-9000	0	ARM COMP RR BRAKE	後剎車臂	1	
*	347	95701-06022-08	0	BOLT FLANGE 6*22	螺絲	1	

F
8

F 9 **Seat**

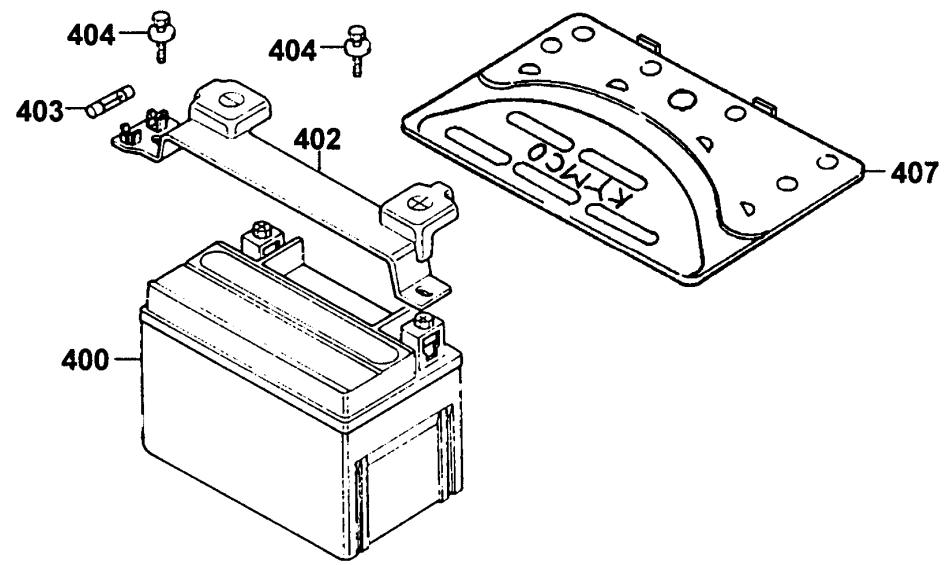


F 10 Fuel Tank

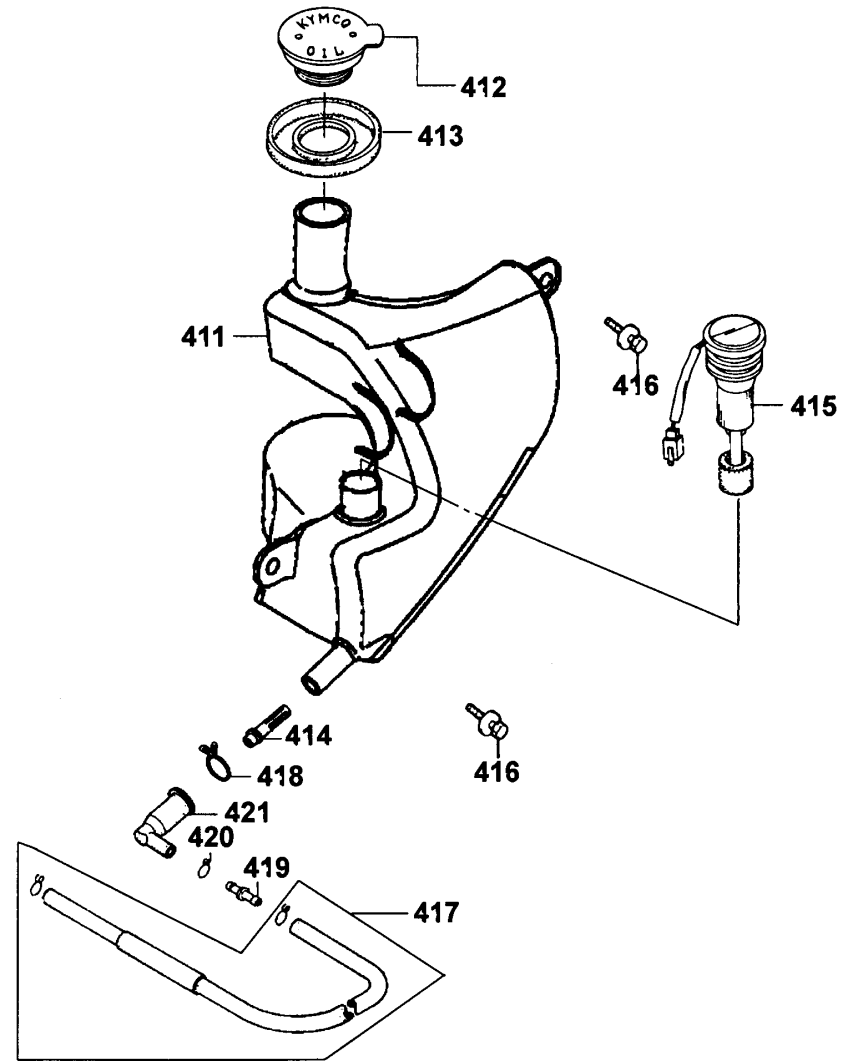


販賣記號	項目	零件號碼	版數	英文名稱	中文名稱	需要用量	參考價
Sales mark	Ref no	Part no	Ver	Description	Chinese	Reqd no	Ref Price
*	370	37802-GA7-7000	2	RET FUEL UNIT	浮筒計承件	1	
*	371	3780A-KEB7-9000	1	FUEL UNIT ASSY	燃料量指示器組	1	
*	374	17500-KEB7-E000	0	TANK COMP FUEL	油箱	1	
*	375	17620-GS7-6720-M1	3	CAP COMP FUEL FILLER	油箱蓋	1	
*	377	16950-KJ9-7520-M1	1	AUTO COCK ASSY FUEL	自動油杯組	1	
*	378	9500B-KEB7-E000	0	TUBE ASSY VACUUM	真空管組	1	
*	379	77230-KEB7-E000	0	STAY ASSY SEAT CATCH	座墊檔器支座	1	
*	380	94050-06080	0	NUT FLANGE 6MM	螺帽	2	
*	381	95701-06012-08	0	BOLT FLANGE 6*12	螺絲	2	
*	382	94050-06080	0	NUT FLANGE 6MM	螺帽	2	
*	387	9500C-KEB7-9000	0	TUBE ASSY FUEL	油管組	1	
*	388	9500E-KEB7-9000	0	TUBE ASSY FUEL	油管組	1	
*	A	1691A-GY6-9010-M2	0	STRAINER ASSY FUEL	濾油器組	1	

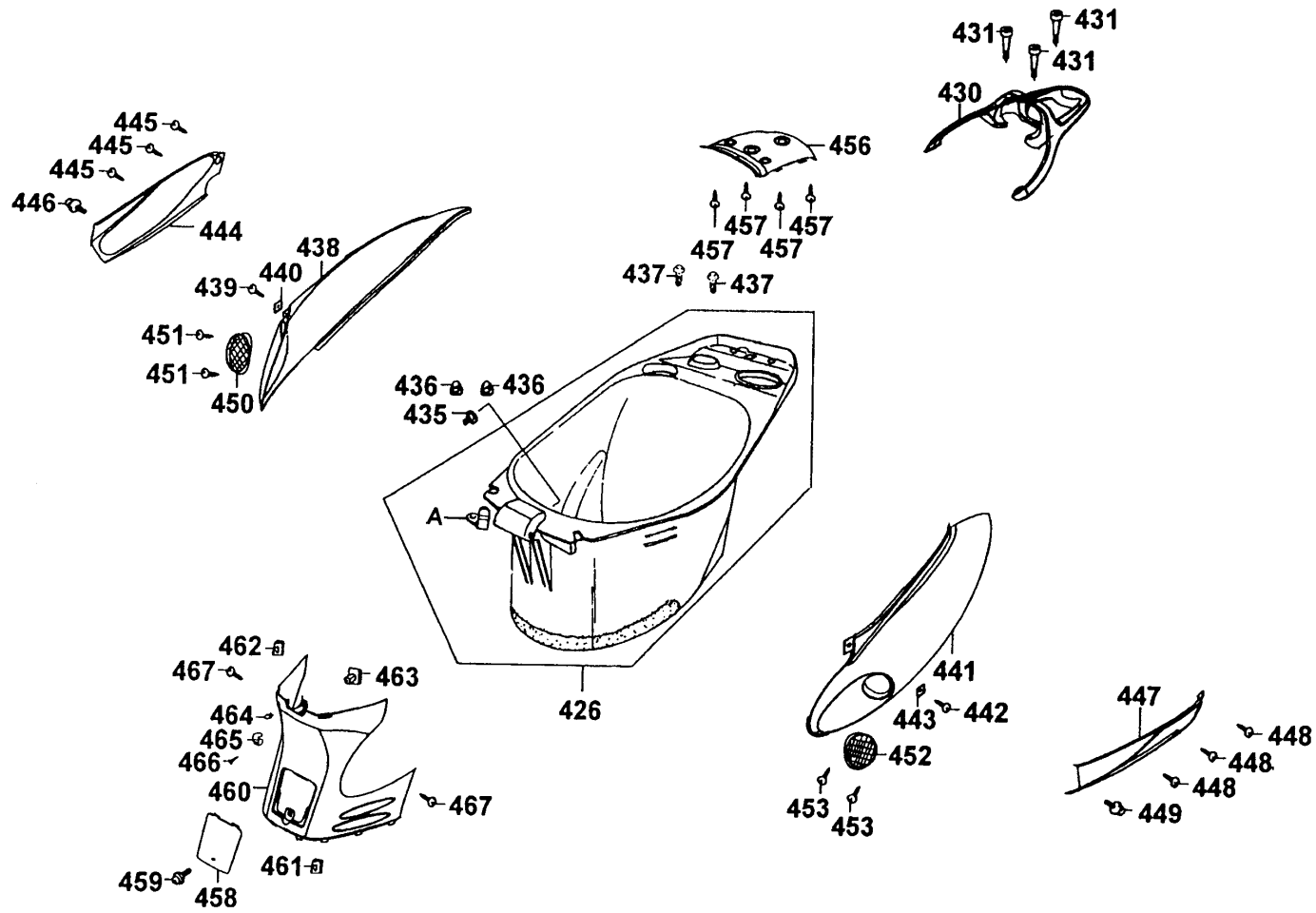
F 11 Battery



F 12 Oil Tank



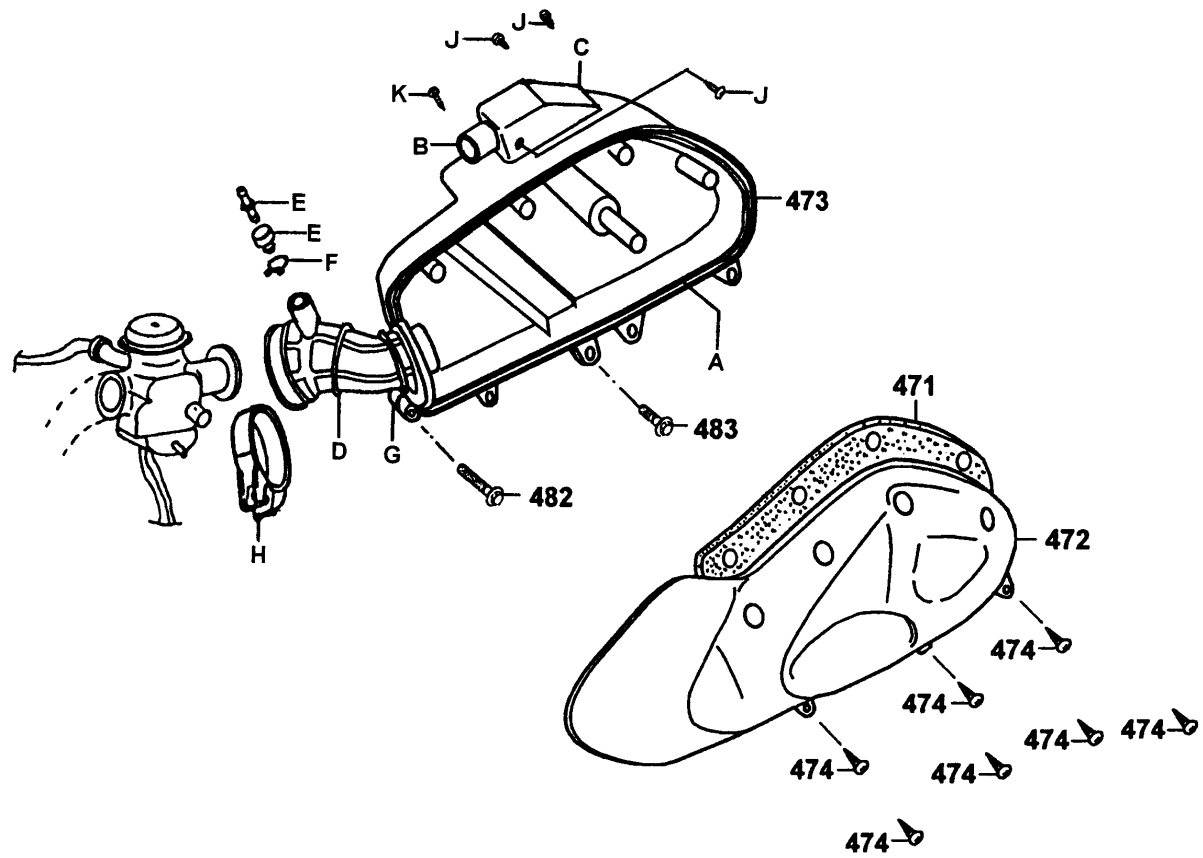
F 13 Body Cover ● Luggage Box ● Carrier



販賣記號	項目	零件號碼	版數	英文名稱	中文名稱	需要用量	參考價
Sales mark	Ref no	Part no	Ver	Description	Chinese	Reqd no	Ref Price
**	426	81260-KEB7-E000	2	BOX ASSY LUGGAGE	行李箱	1	
**	430	81200-KEB7-9000	0	CARRIER LUGGAGE	後架	1	
*	431	90105-KAK-9000	2	BOLT TANK COVER 6MM	螺絲	3	
*	435	90381-GZ5-0010	0	SCREW SPECIAL 6*17	特殊螺絲	1	
*	436	90215-GM0-9100	0	NUT CAP 6MM	圓螺帽	2	
*	437	90111-KW6-0010	0	BOLT FLANGE 6MM	螺絲	2	
**	438	83500-KEB7-3150-GM	0	COVER SET R BODY	車體右邊蓋	1	
*	439	93903-24380	0	SCREW TAPPING 4*12	螺絲	1	
*	440	90302-SA4-0030	1	NUT SPRING 4MM	螺帽	1	
**	441	83600-KEB7-3150-GM	0	COVER SET L BODY	車體左邊蓋	1	
*	442	93903-24380	0	SCREW TAPPING 4*12	螺絲	1	
*	443	90302-SA4-0030	1	NUT SPRING 4MM	螺帽	1	
**	444	83520-KEB7-3050-GM	0	COVER SET R SKIRT /painted	右邊軌蓋	1	
**	444	83520-KEB7-3150	0	COVER SET R SKIRT /Nopainted	右邊軌蓋	1	
*	445	93903-14380	0	SCREW TAPPING 4*12	螺絲	1	
*	446	90110-KEB7-9000	0	SCREW SPECIAL 6*14	螺絲	1	
**	447	83620-KEB7-3050-GM	0	COVER SET L SKIRT /painted	左邊軌蓋	1	
**	447	83620-KEB7-3150	0	COVER SET L SKIRT /Nopainted	左邊軌蓋	1	
*	448	93903-14380	0	SCREW TAPPING 4*12	螺絲	1	
*	449	90110-KEB7-9000	0	SCREW SPECIAL 6*14	螺絲	1	

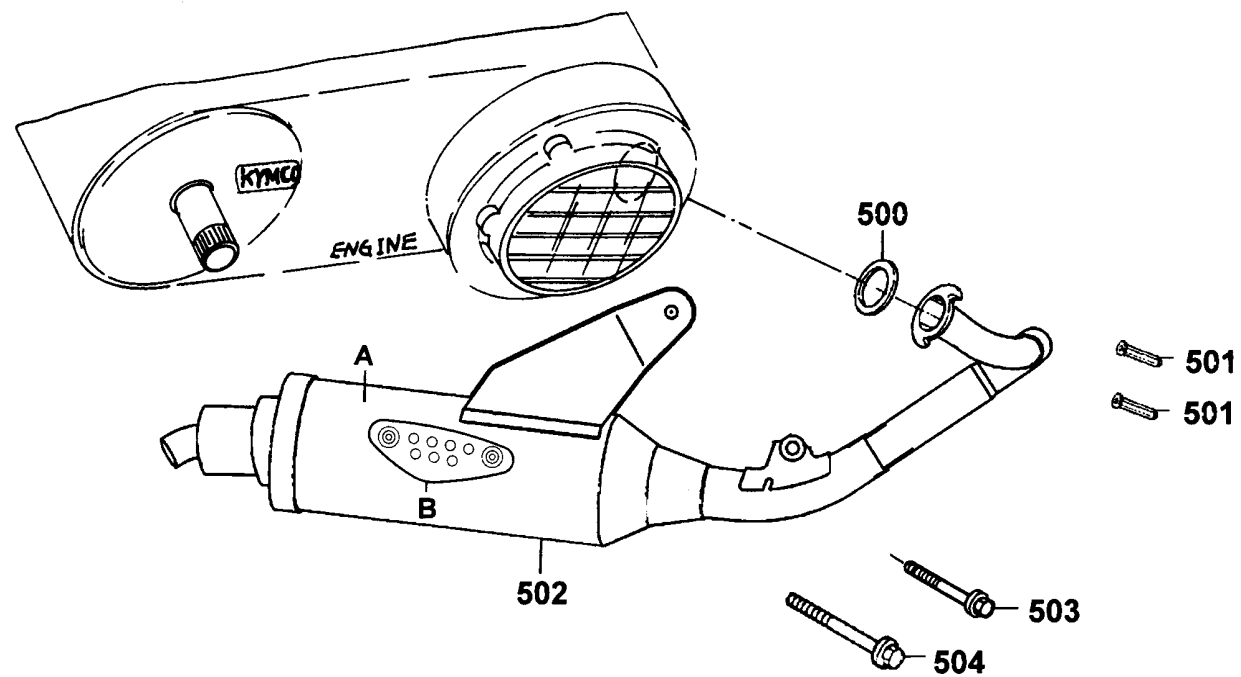
販賣記號	項目	零件號碼	版數	英文名稱	中文名稱	需要用量	參考價
Sales mark	Ref no	Part no	Ver	Description	Chinese	Reqd no	Ref Price
**	450	83501-KEB7-9000	0	GRILL R BODY COVER	通氣孔	1	
*	451	93903-34320	0	SCREW TAPPING 4*12	螺釘	2	
**	452	83601-KEB7-9000	0	GRILL L BODY COVER	通氣孔	1	
*	453	93903-34320	0	SCREW TAPPING 4*12	螺釘	2	
**	456	83750-KEB7-9000	0	COVER REAR CENTER	後中心蓋	1	
*	457	93903-34380	0	SCREW TAPPING 4*12	螺絲	4	
**	458	80153-KEB7-9000	0	COVER PLUG MAINT	化油器護蓋	1	
*	459	90302-KED5-9000	0	BOLT PAN 5*10	螺絲	1	
**	460	80151-KEB7-9000	0	COVER CENTER	中心蓋	1	
*	461	90677-GR1-0030	1	NUT CLIP 5MM	彈簧螺帽	1	
*	462	90305-GK8-0010	0	NUT CLIP 6MM	夾螺帽	1	
*	463	81135-KBG-9000	0	STAY LUGGAGE HOOK	掛鉤座	1	
*	464	81133-KBG-9000	0	STOPPER LUGGAGE	內箱襯蓋	1	
*	465	81134-KBG-9000	0	HOOK LUGGAGE	掛鉤	1	
*	466	90164-KBG-9000	0	SCREW SPECIAL 6MM	特殊螺絲	1	
*	467	93903-34380	0	SCREW TAPPING 4*12	螺絲	2	
*	A	77106-KEB7-9000	0	HOOK HELMENT	安全帽掛	1	

F 14 Air Cleaner

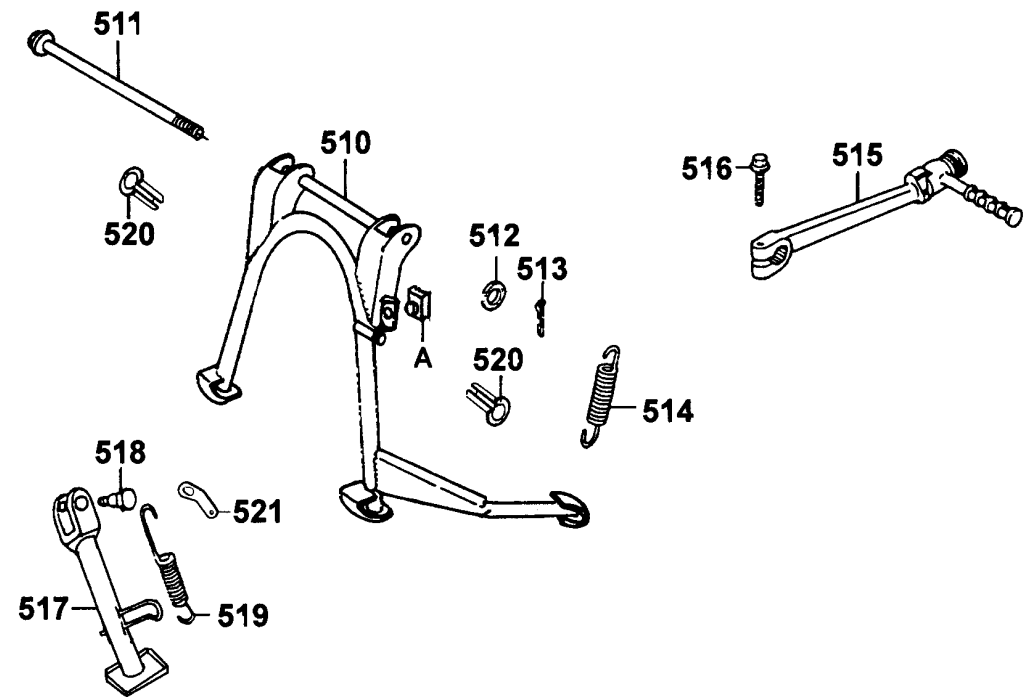


販賣記號	項目	零件號碼	版數	英文名稱	中文名稱	需要用量	參考價
Sales mark	Ref no	Part no	Ver	Description	Chinese	Reqd no	Ref Price
*	471	17205-KEB7-9000	0	ELEMENT AIR/C	空氣濾清器海綿	1	
*	472	17207-KEB7-9000	0	COVER AIR/C	空氣濾清器箱	1	
*	473	17206-KEB7-9000	4	CASE AIR/C	空氣濾清器箱	1	
*	474	93903-25380	0	SCREW TAPPING 5*16	螺絲	7	
*	482	95801-06045-08	0	BOLT FLANGE 6*45	螺絲	1	
*	483	93404-06025-07	0	BOLT WASHER 6*25	螺絲	1	
*	A	17212-KEB7-9000	0	SEAL AIR/C COVER	空氣濾清箱蓋防塵封	1	
*	B	17213-KEB7-9000	0	DUCT AIR/C INLET	進氣導管	1	
*	C	17216-KEB7-9000	0	COVER JOINT	進氣導管蓋	1	
*	D	17253-KEB7-9000	0	TUBE AIR/C CONN	空氣濾清器連接管	1	
*	E	17254-KCA-P000	0	PLUG A/C CONN TUBE	管栓	1	
*	F	95002-02110	0	CLIP	管夾	1	
*	G	17208-KEB7-9000	0	COLLAR AIR/C SET	套筒	2	
*	H	90652-GHB-6700	0	BAND AIR/C CONN	管束帶	1	
*	J	93903-35080	0	SCREW TAPPING M5*8	螺釘	3	
*	K	93903-34380	0	SCREW TAPPING M4*12	螺釘	1	

F 15 Exhaust Muffler

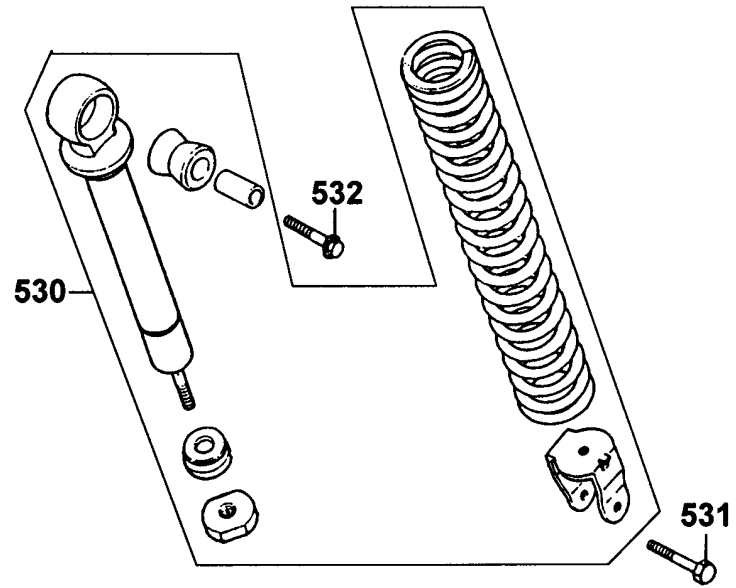


F 16 Stand ● Kick Starter Arm

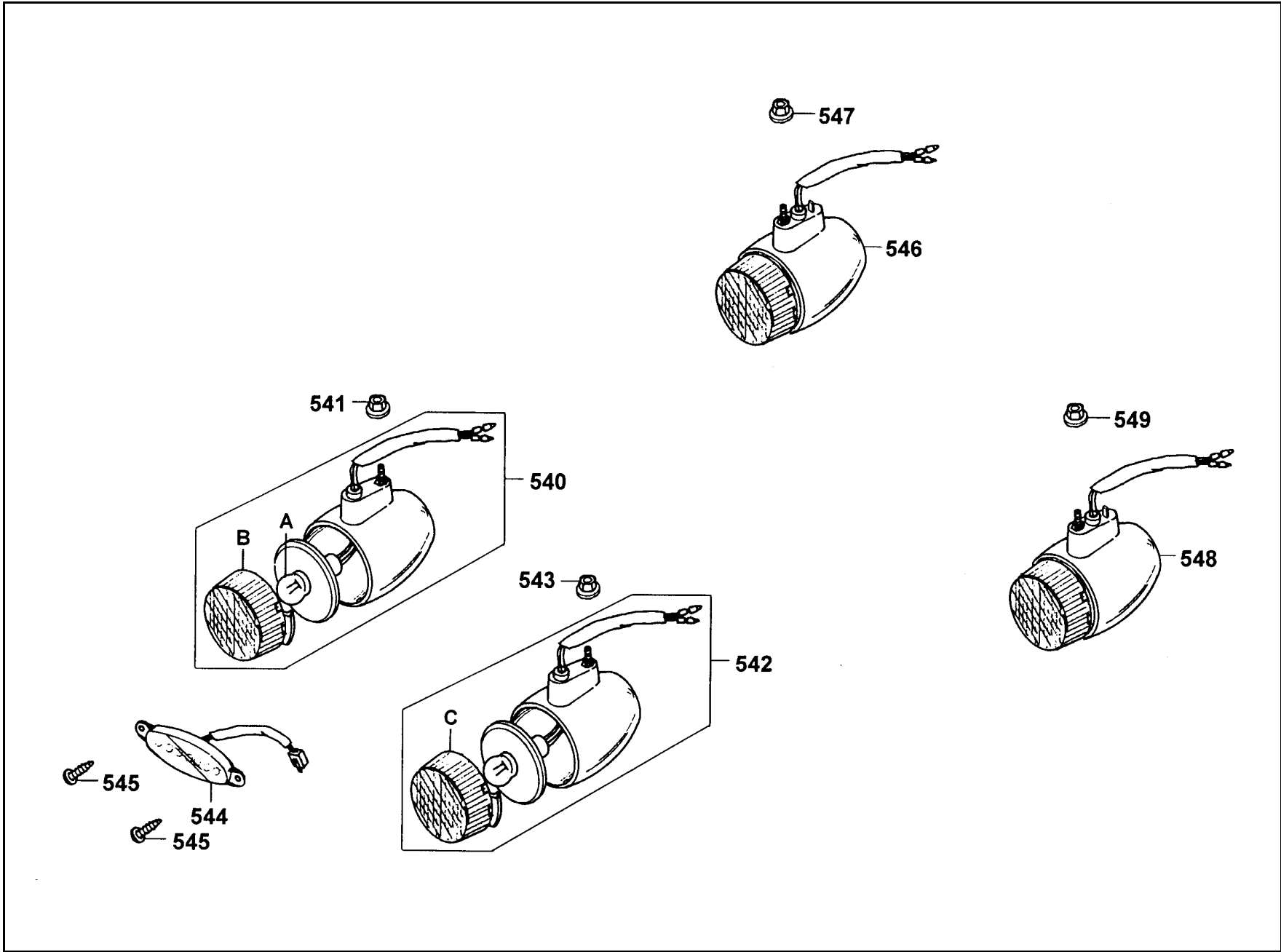


販賣記號	項目	零件號碼	版數	英文名稱	中文名稱	需要用量	參考價
Sales mark	Ref no	Part no	Ver	Description	Chinese	Reqd no	Ref Price
*	510	5050A-KEB7-9000	4	STAND ASSY MAIN	主腳架	1	
*	511	50503-KEB7-9000	1	SHAFT MAIN STAND	主腳架軸	1	
*	512	94101-08700	0	WASHER PLAIN 8MM	華司	1	
*	513	94251-08400	0	PIN LOCK 8MM	插銷	1	
*	514	95014-71202	0	SPG B MAIN STAND	主腳架彈簧	1	
*	515	28300-KBN-9010	1	ARM ASSY KICK STARTER	起動踏桿組	1	
*	516	95701-06022-07	0	BOLT FLANGE 6*22	螺絲	1	
*	517	50530-KEB7-9000	1	BAR SIDE STAND	側腳架	1	
*	518	90108-GY6-9010	0	SCREW SIDE STAND PIVOT	側腳架螺絲	1	
*	519	95014-72204	0	SPRING B1 SIDE STAND	側腳架彈簧	1	
*	520	50527-KED5-9000	0	BUSH OILES	套筒	2	
*	521	50531-KEB7-E000	0	PLATE SPRING STOPPER	側腳架座	1	
*	A	50505-KBE-9000	0	STOPPER RUBBER	主腳架橡皮	1	

F 17 Rear Cushion

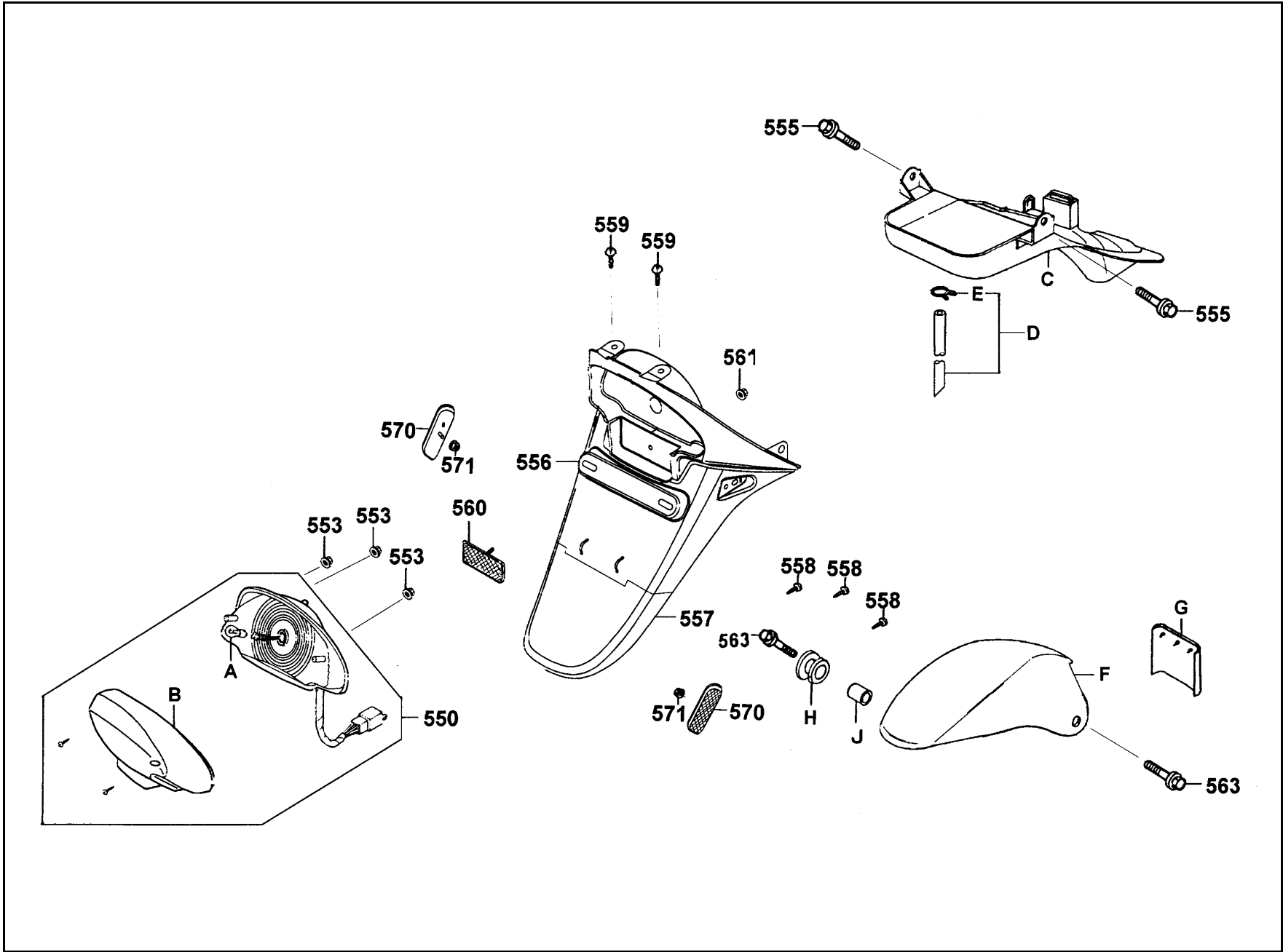


F 18 Winker



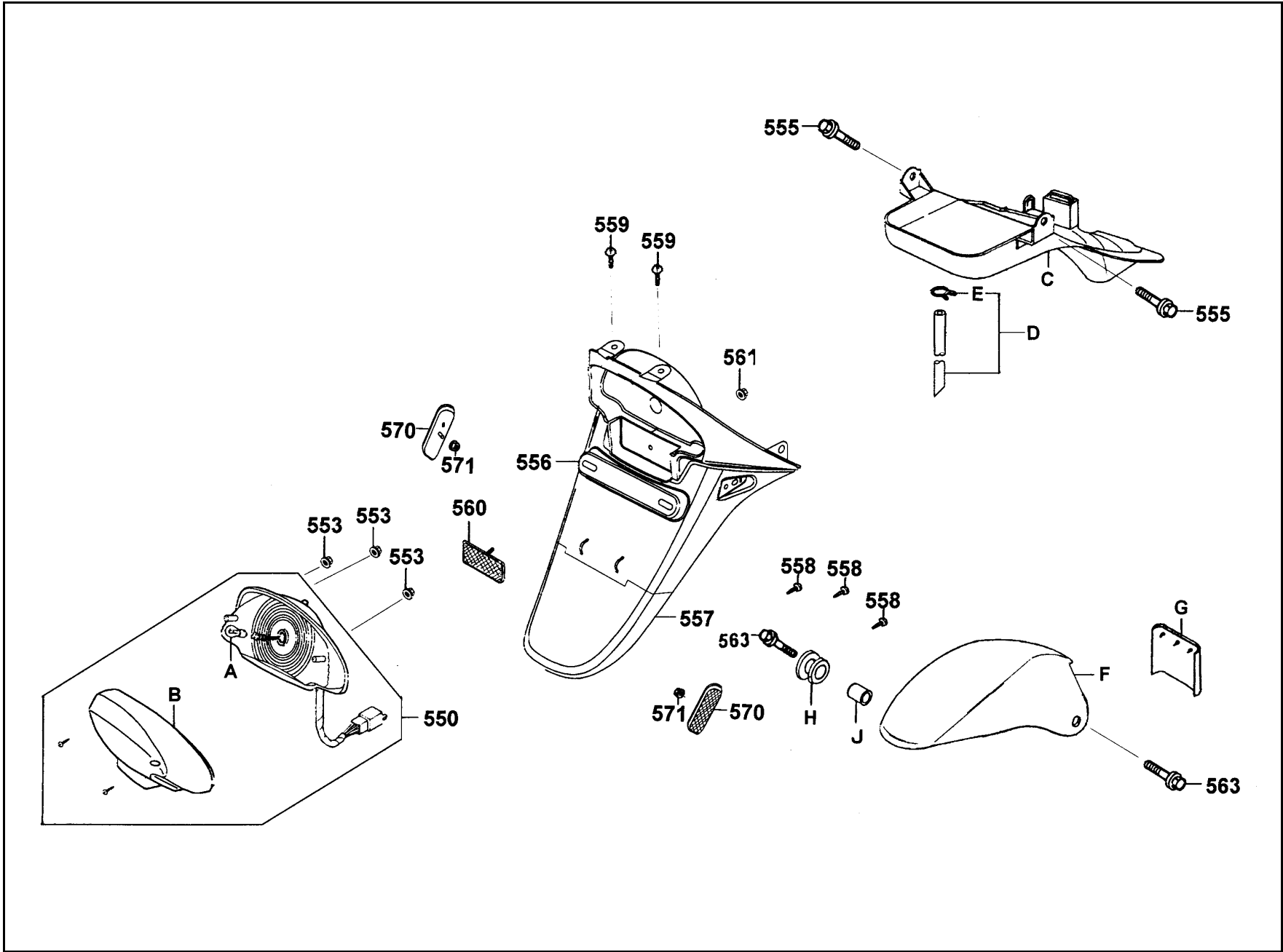
販賣記號	項目	零件號碼	版數	英文名稱	中文名稱	需要用量	參考價
Sales mark	Ref no	Part no	Ver	Description	Chinese	Reqd no	Ref Price
*	540	33400-KEB7-E000	0	WINKER ASSY R FR	右前方向燈組	1	
*	541	94050-05080	0	NUT FLANGE 5MM	螺帽	1	
*	542	33450-KEB7-E000	0	WINKER ASSY L FR	左前方向燈組	1	
*	543	94050-05080	0	NUT FLANGE 5MM	螺帽	1	
*	544	33500-KEB7-E000	2	LIGHT ASSY FR POSITION	前位置燈	1	
*	545	93903-34380	0	SCREW TAPPING 4*12	螺釘 4*12	2	
*	546	33600-KEB7-E000	1	WINKER ASSY R RR	右後方向燈組	1	
*	547	94050-05080	0	NUT FLANGE 5MM	螺帽	1	
*	548	33650-KEB7-E000	1	WINKER ASSY L RR	左後方向燈組	1	
*	549	94050-05080	0	NUT FLANGE 5MM	螺帽	1	
*	A	34905-KCP-9000	0	BULB WINKER	方向燈燈泡	4	
*	B	33402-KEB7-E000	0	LENS R FR WINKER	右前方向燈殼	2	
*	C	33452-KEB7-E000	0	LENS L FR WINKER	左前方向燈殼	2	

F 19 Tail Light

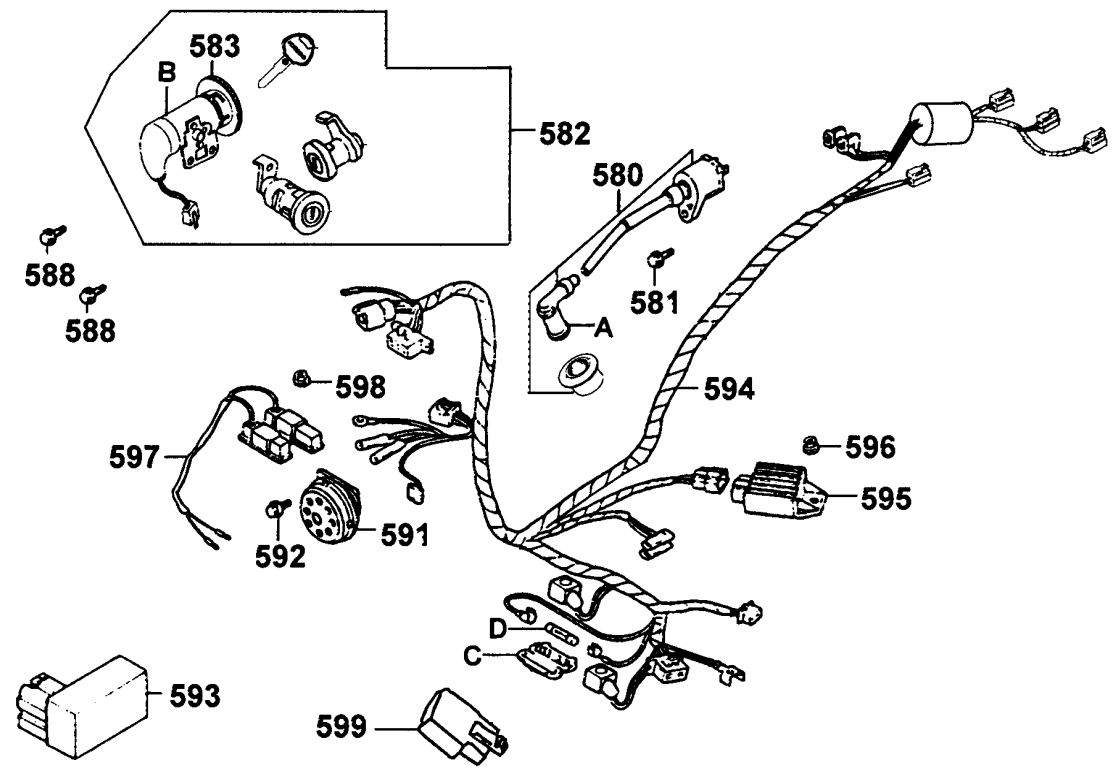


販賣記號	項目	零件號碼	版數	英文名稱	中文名稱	需要用量	參考價
Sales mark	Ref no	Part no	Ver	Description	Chinese	Reqd no	Ref Price
*	550	33701-KEB7-E000	1	LIGHT ASSY TAIL	後燈組	1	
*	553	94050-05080	0	NUT FLANGE 5MM	螺帽	3	
*	555	93404-06016-07	0	BOLT WASHER 6*16	螺絲	3	
**	556	80105-KEB7-M000-US	0	FENDER REAR	後土除	1	
**	557	80106-KEB7-9000	0	FENDER LOW REAR	後下土除	1	
*	558	93903-34380	0	SCREW TAPPING 4*12	螺絲	2	
*	559	90302-GY6-9000	0	BOLT WASHER 5*12	螺絲	2	
*	560	33741-KBE-9000	0	REFLEX REFLECTOR	反光鏡片	1	
*	561	94050-05080	0	NUT FLANGE 5MM	螺帽	1	
*	563	93404-06012-08	0	BOLT WASH 6*12	螺絲	3	
*	570	33730-KEB7-M000-US	0	REFLEX REFLECTOR COMP R SIDE	右反光鏡片	1	
*	570	33735-KEB7-M000-US	0	REFLEX REFLECTOR COMPL SIDE	左反光鏡片	1	
*	571	94050-05080	0	NUT FLANGE 5MM	螺帽	2	
*	A	34906-KCP-9000	0	BULB TAIL & STOP	後燈燈泡	1	
*	B	33702-KEB7-9000	0	LENS COMP TAIL LIGHT	後燈殼	1	
*	C	80101-KEB7-9000	0	FENDER A REAR	後土除A	1	
*	D	1755A-KEB7-9000	0	TUBE ASSY FUEL DRAIN	溢流管	1	
*	E	95002-02080	0	CLIP B8 TUBE	管夾B8	1	
*	F	80107-KEB7-9000	0	FENDER B REAR	後土除B	1	
*	G	80108-KEB7-9000	0	PLATE SPLASH GUARD	防濺橡皮	1	

F 19 Tail Light



F 20 Wire Harness



販賣記號	項目	零件號碼	版數	英文名稱	中文名稱	需要用量	參考價
Sales mark	Ref no	Part no	Ver	Description	Chinese	Reqd no	Ref Price
*	580	3051A-KEB7-9000-M1	3	COIL ASSY IGN	點火線圈	1	
*	580	3051A-KEB7-9000-M2	1	COIL ASSY IGN	點火線圈	1	
*	581	90112-KDR-9000	0	BOLT FLANGE 5*22	螺絲	1	
*	582	35010-KEB7-E000-M1	1	KEY SET	開關組	1	
*	583	35102-KGBG-9000-M1	0	COLLAR MAIN SW	套筒	1	
*	588	95701-KEB7-E000	0	BOLT FLANGE 6*16	螺絲	2	
*	591	38110-KEB7-9000-M1	1	HORN COMP	喇叭	1	
*	592	95701-06012-08	0	BOLT FLANGE 6*12	螺絲	1	
*	593	30410-KEB7-E100-M1	0	UNIT COMP CDI & SPEED CONTROL	限速C.D.I組	1	
*	594	32100-KEB7-M000-US	0	HARNESS WIRE	主配線	1	
*	595	31600-KDU-9000	0	REG REC COMP	整流器	1	
*	596	94050-06080	0	NUT FLANGE 6MM	特殊螺帽	1	
*	597	35400-KBN-9200	0	RESISTOR COMP	電阻器組	1	
*	598	94050-06080	0	NUT FLANGE 6MM	螺帽	1	
*	599	38501-GN2-0030	1	RELAY COMP START	啓動繼電器	1	
*	A	30700-KBN-9010	1	CAP ASSY NOISE SUPPR	火星塞蓋	1	
*	B	35100-KGBG-3150-M2	0	SW SET COMB & LOCK	主開關	1	
*	C	32120-155-0010	0	CASE FUSE	保險絲盒	1	
*	D	98200-10700	0	FUSE A7	保險絲 A7	1	

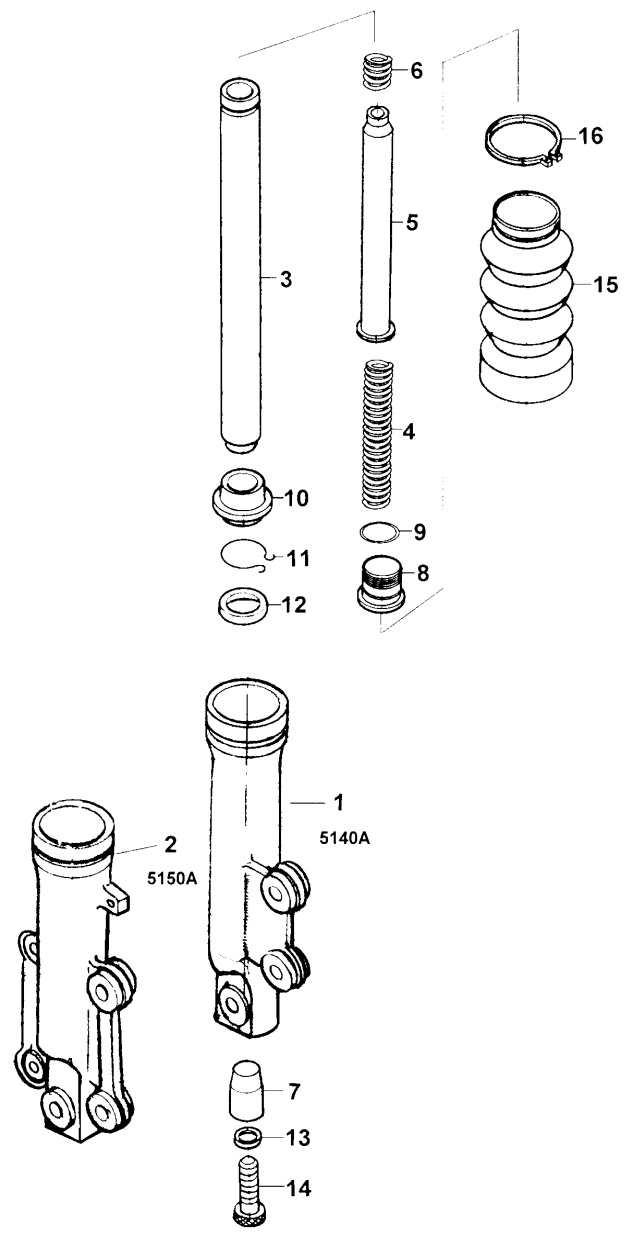
F

20

販賣記號	項目	零件號碼	版數	英文名稱	中文名稱	需要用量	參考價
Sales mark	Ref no	Part no	Ver	Description	Chinese	Reqd no	Ref Price
*	620	50100-KEB7-E000	5	BODY COMP FRAME	車體	1	
*	621	50301-GM0-0010	0	RACE UPPER STRG BALL	上珠碗	1	
*	622	50305-GC8-0040	0	RACE UNDER STRG BALL	下珠碗	1	
*	623	50350-KEB7-9000	5	HANGER ASSY ENG	引擎吊架組	1	
*	624	90121-GY6-9010	0	COLLAR DISTANCE	套筒	1	
*	625	95801-10050-07	0	BOLT FLANGE 10*50	螺絲	2	
*	626	90304-GE8-0030	1	NUT U 10MM	螺帽	2	
*	627	95801-10095-07	0	BOLT FLANGE 10*95	螺絲	1	
*	628	95801-10120-07	0	BOLT FLANGE 10*120	螺絲	1	
*	629	19410-KEB7-9000	2	HOSE COOLING	冷卻水管	1	
*	630	64315-KEB7-9000	0	STAY FR COVER	前護蓋支柱	1	
*	631	95801-06050-08	0	BOLT FLANGE 6*50	螺絲	2	
*	632	90102-KBN-9000	0	PLUG HOLE	管塞	2	
*	633	50615-KDK-9000	0	RNFCT FLOOR CROSS	踏板底架強化管	1	
*	634	95701-06012-08	0	BOLT FLANGE 6*12	螺絲	2	
**	635	50613-KEB7-9000	0	COVER UNDER	電瓶底蓋	1	
*	636	90301-634-6700	0	NUT FLANGE 6MM	螺帽	4	
*	637	93903-24380	0	SCREW TAPPING 4*12	螺絲	4	
*	638	50700-KEB7-9000	0	BAR R REAR STEP	右後踏桿	1	
*	639	96211-08000	0	BALL STEEL 8	鋼珠	1	

販賣記號	項目	零件號碼	版數	英文名稱	中文名稱	需要用量	參考價
Sales mark	Ref no	Part no	Ver	Description	Chinese	Reqd no	Ref Price
*	640	50713-KEB7-9000	0	SPRING	彈簧	1	
*	641	94201-16120	0	PIN SPLIT 1.6*12	插銷	1	
*	642	50715-KEB7-9000	0	PIN RR STEP	後踏桿銷	1	
*	643	94101-06800	0	WASHER PLAIN	平華司	2	
*	644	50710-KEB7-9000	0	BAR L REAR STEP	左後踏桿	1	
*	645	96211-08000	0	BALL STEEL 8	鋼珠	1	
*	646	50713-KEB7-9000	0	SPRING	彈簧	1	
*	647	94201-16120	0	PIN SPLIT 1.6*12	插銷	1	
*	648	50715-KEB7-9000	0	PIN RR STEP	後踏桿銷	1	
*	649	94101-06800	0	WASHER PLAIN	平華司	2	
*	650	50355-KEB7-9000	0	COVER R HANGER	引擎吊架右邊蓋	1	
*	651	93891-05012-07	0	SCREW WASHER 5*12	螺絲	2	
*	652	50356-KEB7-9000	0	COVER L HANGER	引擎吊架左邊蓋	1	
*	653	93891-05012-07	0	SCREW WASHER 5*12	螺絲	2	
*	654	1721A-KEB7-9000	0	DUCT ASSY AIR/C	進氣導管組	1	
*	655	93903-34380	0	SCREW TAPPING 4*12	螺絲	2	
*	655	93903-34380	0	SCREW TAPPING 4*12	螺絲	2	
*	A	50356-KBN-2000	1	RUBBER C STOPPER	橡皮 C	2	
*	B	50357-KEB7-9000	1	RUBBER BUSH ENG	橡皮	2	
*	E	17215-KBG-9000	0	CLIP ASSY AIR/C DUCT	導管夾	1	

F 22 Separated Parts Of Fr Fork



販賣記號	項目	零件號碼	版數	英文名稱	中文名稱	需要用量	參考價
Sales mark	Ref no	Part no	Ver	Description	Chinese	Reqd no	Ref Price
*	1	51420-KEB7-8000	0	BOTTOM CASE R	右前避震底管	1	
*	2	51520-KEB7-8000	0	BOTTOM CASE L	左前避震底管	1	
*	3	51410-KEB7-9000	0	FORK PIPE COMP	前避震管	2	
*	4	51401-KEB7-9000	0	SPRING	前避震彈簧	2	
*	5	51429-KEB7-9000	0	PIPE SEAT COMP	前避震管座	2	
*	6	51412-KEB7-9000	0	REBOUND SPRING	回位彈簧	2	
*	7	51432-KM7-9110	0	OIL LOCK PIECE	止油接頭	2	
*	8	94605-KBE-9000	0	FORK BOLT	前叉螺絲	2	
*	9	94608-30000	0	O-RING	O環	2	
*	10	31009-330-71	0	DUST SEAL	油封	2	
*	11	90601-354-0010	0	OIL SEAL STOPPER RING	油封止環扣	2	
*	12	91255-446-0140	0	OIL SEAL	油封	2	
*	13	90554-283-0010	0	PACKING	墊片	2	
*	14	90116-383-7220-M1	0	BOLT	螺絲	2	
*	15	51411-KEB7-9000	0	BOOT	橡皮護套	2	
*	16	51412-KBE-E000	0	BOOT BAND	橡皮護套扣環	2	

F

22

F 23 Caution Label

Be sure to wear safety helmet when riding.
 Do not exceed the speed specified by the user riding.
 The exhaust pipe temperature is very high after riding. Be sure to park the motorcycle in a place not nearby occupied by people.
 Make sure to perform the specified safety inspection before riding.

(Safety Inspection Items)
 Brake performance, tires, cycle motor, oil, lights, horn, and instrument panel.

KWANG YANG MOTOR CO., LTD.

Please read the User's manual carefully to secure driving safety.
 Be sure to observe the traffic rules and perform regular maintenance by more than two persons and ride in one motorcycle.

680

CAUTIONS

Before starting the engine, the side stand shall be kicked up to secure safety.

682

CAUTION

- The weight of articles put in the inner box shall not exceed 15kg.
- Water may enter into the box when washing the motorcycle. Be careful when putting important articles.

681

CAUTIONS

Never put any article between the rear side cover and the engine to avoid interference of riding.

683

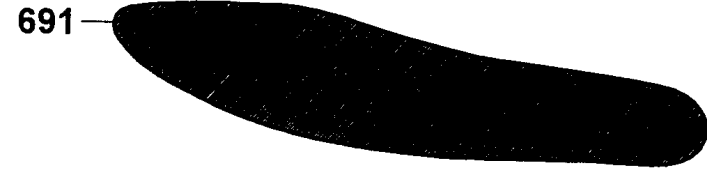
CAUTIONS

tire Size	Front 120/70-16	Rear 120/80-16
One Rider	Front 150kg/cw	Rear 170kg/cw
Two Rider	Front 150kg/cw	Rear 170kg/cw
Load Capacity	15kg	Rear carrier 3kg
	Inner box under saddle	10kg

When refilling gasoline, check the motor oil level. Riding with insufficient motor oil will cause breakdown easily.

685

F 24 Mark ● Stripe



零 件 號 碼 索 引

PART NO. INDEX

零 件 號 碼	版數	頁 次	零 件 號 碼	版數	頁 次	零 件 號 碼	版數	頁 次
PART NO.	VER.	PAGE	PART NO.	VER.	PAGE	PART NO.	VER.	PAGE
11000			13011-GW0-9020	0	P39	17112-KEB7-9000	0	P35
11100-KEB7-3250	4	P37	13101-GW0-9010	1	P39	17205-KEB7-9000	0	P81
11100-KEB7-9000	0	P33	13111-166-0010	1	P39	17206-KEB7-9000	4	P81
11102-187-0030	3	P33	13115-156-0010	0	P39	17207-KEB7-9000	0	P81
11102-187-0030	3	P33				17208-KEB7-9000	0	P81
11108-KEB7-9000	0	P19	14000			17212-KEB7-9000	0	P81
11200-KEB7-3250	1	P37	14100-KEB7-9000	0	P35	17213-KEB7-9000	0	P81
11200-KEB7-9000	0	P33				17214-KEB7-9000	0	P99
11203-GC7-3010	2	P33				17215-KBG-9000	0	P99
11203-KG8-3010	1	P31	15000			17216-KEB7-9000	0	P81
11204-KEB7-9000-H1	0	P33	15100-GAK-9500	13	P35	1721A-KEB7-9000	0	P99
11205-GAH-0030-H1	0	P33	15110-KEB7-9000	0	P35	17253-KEB7-9000	0	P81
11205-KED5-9000-H1	0	P33	15115-KBN-9200	0	P35	17254-KCA-P000	0	P81
11205-KED5-9000-H1	0	P33	1552A-KEB8-9000	0	P35	17500-KEB7-E000	0	P71
11206-KEB7-9000	0	P33	15772-551-0000	1	P75	17502-187-0000	0	P75
11208-GAK-9010	0	P37				1755A-KEB7-9000	0	P91
11208-KEB7-9000	1	P37				17620-GS7-6720-M1	3	P71
11341-KEB7-9000	2	P23	16000			17910-KEB7-9000	0	P51
11395-KEB7-9000	0	P23						
						18000		
12000			1610K-KEB7-E020	0	P43	18291-166-0040	0	P83
12101-KEB7-9010	1	P17	1621A-GAK-9010	0	P35	1830A-KEB7-E010	0	P83
12191-KEB7-9000	0	P17	16620-KEB7-E000	0	P43	18318-KEB7-9000	0	P83
12201-KEB7-9000	1	P17	16630-KEB7-E000	0	P35	18319-KEB7-E000	0	P83
12251-KEB7-9000	0	P17	1691A-GY6-9010-M2	0	P71			
			16950-KJ9-7520-M1	1	P71			
						19000		
13000			17000			19410-KEB7-9000	2	P97
13000-GAK-9210	5	P39	17100-KEB7-9010	0	P35	19510-GW2-9010	2	P19
			17111-KEB7-9000	0	P35	19600-KEB7-9000	0	P15
						1962A-KEB7-E000	0	P15

零 件 號 碼 索 引

PART NO. INDEX

零 件 號 碼	版數	頁 次	零 件 號 碼	版數	頁 次	零 件 號 碼	版數	頁 次
PART NO.	VER.	PAGE	PART NO.	VER.	PAGE	PART NO.	VER.	PAGE
			23238-GY6-9410	0	P27	31209-GAK-9010	0	P21
21000			23411-KEB7-9000	0	P31	31210-GAK-9010-M1	2	P21
			23420-KEB7-9000	0	P31	31500-KBN-9200-M1	3	P73
21200-GAK-3050	1	P31	23431-KBN-9010-H1	1	P31	31600-KDU-9000	0	P95
21200-GAK-9010	1	P31	23432-KEB7-9000	0	P31			
21395-KBN-9010	1	P31						
						32000		
22000			28000					
			28211-KEB7-9000	0	P25	32100-KEB7-M000-US	0	P95
22100-GR1-7510	0	P27	28223-KBN-9010	0	P25	32101-GY6-9000	1	P55
22102-KEB7-9000	0	P25	28230-GAK-9210	0	P25	32105-KEB7-9000	0	P21
22103-KEB7-9000	0	P25	28250-KBN-9010	0	P25	32120-155-0010	0	P95
22105-KEB7-E000	0	P25	28253-GN2-6020-M1	0	P25	32161-393-0040	0	P15
22110-KFA1-2200	0	P25	28255-GS6-0010	0	P25			
22121-GW0-9010	0	P25	28281-GN2-6030-M1	0	P25	33000		
22131-GAH-7810	0	P25	28300-KBN-9010	1	P85			
22132-GW0-0010	2	P25				33100-KEB7-E000	2	P47
22300-KCX-9000	0	P27				33120-KEB7-E000	0	P47
22350-GAK-9300	1	P27	30000			33121-KEB7-9000	0	P47
22401-GG2-9000	0	P27				33130-KEB7-E000	0	P47
22530-GAK-9300	1	P27	30410-KEB7-E100-M1	0	P95	33400-KEB7-E000	0	P89
22804-148-0010	0	P27	3051A-KEB7-9000-M1	3	P95	33402-KEB7-E000	0	P89
			3051A-KEB7-9000-M2	1	P95	33450-KEB7-E000	0	P89
23000			30700-KBN-9010	1	P95	33452-KEB7-E000	0	P89
						33500-KEB7-E000	2	P89
2301A-KEB7-9000	1	P29				33600-KEB7-E000	1	P89
23100-KEB7-9000	0	P29	31000			33650-KEB7-E000	1	P89
23200-GR1-7510	0	P27				33701-KEB7-E000	1	P91
23210-GR1-7510	0	P27	31009-330-71	0	P101	33702-KEB7-9000	0	P91
23220-GAK-2200	0	P27	31110-KEB7-9000-M1	2	P19	33730-KEB7-M000-US	0	P91
23225-GR1-7510	0	P27	31110-KEB7-9000-M2	1	P19	33735-KEB7-M000-US	0	P91
23233-GE8-0000	1	P27	31120-KEB7-9000-M1	1	P19	33741-GY6-C300	1	P59
23237-GR1-8810	0	P27	31120-KEB7-9000-M2	0	P19	33741-KBE-9000	0	P91

零 件 號 碼 索 引

PART NO. INDEX

零 件 號 碼	版數	頁 次	零 件 號 碼	版數	頁 次	零 件 號 碼	版數	頁 次
PART NO.	VER.	PAGE	PART NO.	VER.	PAGE	PART NO.	VER.	PAGE
34000			38000			44710-KEB7-E100-M1	0	P63
34901-KEB7-E000	0	P47	38110-KEB7-9000-M1	1	P95	44710-KEB7-E100-M2	0	P63
34903-KLA-9000	0	P47	38300-KEB7-9000	1	P49	44800-KCX-E000	4	P63
34905-KCP-9000	0	P89	38501-GN2-0030	1	P95	44830-KEB7-8000	0	P49
34906-KCP-9000	0	P91				44831-KEB7-8000	0	P49
34908-MB9-8710-M1	0	P49	42000			45000		
			42601-KEB7-E100	0	P67	45100-KCX-E000	3	P63
35000			42710-KEB7-E100-M1	0	P67	45105-KCX-E050	1	P63
			42710-KEB7-E100-M2	0	P67	45110-KCX-E000	0	P65
35010-KEB7-E000-M1	1	P95				45121-KCE-9000	1	P63
35100-KGBG-3150-M2	0	P95	43000			45126-KEB7-9000	2	P55
35102-KGBG-9000-M1	0	P95				45131-166-0160	0	P65
3515A-KFA6-M000-US	0	P51	43108-KS6-0720-M1	0	P65	45131-HA5-6730-M1	0	P65
3520A-KGBG-E000	2	P51	43109-MA3-0070	0	P63	45132-166-0160	0	P63
35340-KBN-9000	0	P55	43120-GW2-9020-M1	1	P67	45133-028-0000	1	P67
35340-KJ9-0100	4	P51	43141-GAK-9000	0	P67	45133-MA3-0060	0	P65
35400-KBN-9200	0	P95	43209-MA3-0070	0	P63	45203-MG3-0100	6	P65
35410-KEB7-9000	0	P75	43352-568-0030	3	P65	45215-KA3-7320-M1	0	P65
			43353-461-7710-M1	0	P65	45513-KEB7-M000-US	0	P55
37000			43410-KEB7-9000	0	P67	45517-GY6-9000	4	P51
	0	P49	43450-KEB7-9000	7	P51	45517-KAF-9000	0	P55
37200-KEB7-M000-US-M2	0	P49	43452-GAK-9000	0	P55	45530-KEB7-3050-US	0	P55
37211-KEB7-9000-M1	0	P49				45531-GR1-9510	0	P65
37211-KEB7-9000-M2	0	P49	44000			50000		
37802-GA7-7000	2	P71				50100-KEB7-E000	5	P97
3780A-KEB7-9000	1	P71	44311-GW0-9110	0	P63	50301-GM0-0010	0	P97
			44601-KEB7-E100	0	P63	50305-GC8-0040	0	P97
			44620-KEB7-E000	0	P63	50306-196-0010	0	P61
			44650-KEB7-3150	0	P63			

零 件 號 碼 索 引

PART NO. INDEX

零 件 號 碼	版數	頁 次	零 件 號 碼	版數	頁 次	零 件 號 碼	版數	頁 次
PART NO.	VER.	PAGE	PART NO.	VER.	PAGE	PART NO.	VER.	PAGE
50326-KEB7-9000	0	P73						
50328-KDK-9000	0	P73	52000			61110-KEB7-8000	0	P61
50350-KEB7-9000	5	P97						
50355-KEB7-9000	0	P99	52400-KEB7-E000	1	P87			
50356-KBN-2000	1	P99				64000		
50356-KEB7-9000	0	P99						
50503-KEB7-9000	1	P85	53000			64301-KEB7-8000	0	P57
50505-KBE-9000	0	P85				64302-KEB7-9000	0	P59
5050A-KEB7-9000	4	P85	53100-KEB7-9000	0	P53	64315-KEB7-9000	0	P97
50527-KED5-9000	0	P85	53105-KBN-9100	0	P53	64303-KEB7-9000	0	P59
50530-KEB7-9000	1	P85	53140-KBN-9600	0	P51	64304-KEB7-E000	1	P57
50531-KEB7-E000	0	P85	53166-KBN-9100	0	P51	64304-KEB7-9000	1	P57
50613-KEB7-9000	0	P97	53172-KCT-9000	0	P51	64305-KEB7-E000	1	P57
50615-KDK-9000	0	P97	53175-KCT-9000	1	P55	64305-KEB7-9000	0	P59
50700-KEB7-9000	0	P97	53178-GAK-9010	0	P51	64310-KEB7-9000	0	P57
50710-KEB7-9000	0	P99	5317B-KEB7-9000	0	P51	64312-KEB7-E000	0	P59
50713-KEB7-9000	0	P99	53200-KEB7-E000	5	P61	64313-KEB7-E000	0	P59
50715-KEB7-9000	0	P99	53205-KEB7-8000	2	P53	64314-KEB7-E000	0	P59
			53206-KEB7-9000	1	P53	64315-KEB7-9000	0	P97
			53211-GY6-9400	0	P61	64316-KEB7-9000	0	P59
51000			53212-GC8-0040	2	P61			
						75000		
5140A-KEB7-8100	9	P61	55000					
51401-KEB7-9000	0	P101				75581-673-0000	4	P57
51410-KEB7-9000	0	P101						
51411-KEB7--9000	0	P101	55100-KEB7-9000	0	P75			
51412-KBE-E000	0	P101	55102-166-0010	0	P75			
51412-KEB7-9000	0	P101	55106-KEB7-9000	2	P75	77000		
51420-KEB7-8000	0	P101	55121-KEB7-9000	0	P75			
51429-KEB7-9000	0	P101	55200-KBN-9010	0	P75	77106-KEB7-9000	0	P79
51432-KM7-9110	0	P101	55201-187-0010	0	P75	77200-KEB7-E000	1	P69
5150A-KEB7-8100	10	P61				77230-KEB7-E000	0	P71
51520-KEB7-8000	0	P101						
			61000					

零 件 號 碼 索 引

PART NO. INDEX

零 件 號 碼	版數	頁 次	零 件 號 碼	版數	頁 次	零 件 號 碼	版數	頁 次
PART NO.	VER.	PAGE	PART NO.	VER.	PAGE	PART NO.	VER.	PAGE
80000			83600-KEB7-3150-GM	0	P77	90001-GAK-9010	0	P17
			83601-KEB7-9000	0	P79	9000A-KDT-9000	0	P23
80100-KEB7-9000	0	P93	83605-KEB7-9000	0	P99	90035-KBN-9010	0	P35
80101-KEB7-9000	0	P91	83620-KEB7-3050-GM	0	P77	90102-KBN-9000	0	P97
80105-KEB7-M000-US	0	P91	83620-KEB7-3150	0	P77	90105-KAK-9000	2	P77
80106-KEB7-9000	0	P91	83750-KEB7-9000	0	P79	90105-KR3-0010	1	P63
80107-KEB7-9000	0	P91				90108-GY6-9010	0	P85
80108-KEB7-9000	0	P91				90110-KEB7-9000	0	P53
80109-KEB7-9000	0	P93	87000			90110-KEB7-9000	0	P57
80151-KEB7-9000	0	P79				90110-KEB7-9000	0	P61
80153-KEB7-9000	0	P79	87132-KEB7-E100-GM	0	P105	90110-KEB7-9000	0	P77
			87206-KCN-8000	1	P105	90111-KW6-0010	0	P77
			87503-KEB7-M000-US	0	P105	90112-KDR-9000	0	P95
81000			87505-KEB7-E100	1	P103	90114-166-0070	1	P55
			87541-GR1-E000	1	P103	90115-GE0-0010	0	P51
81131-KEB7-9000	0	P57	87542-GR1-E000	2	P103	90116-383-7220-M1	0	P101
81132-KEB7-9000	0	P59	87551-KEB7-9000	0	P105	90121-GY6-9010	0	P97
81133-KBG-9000	0	P79	87552-KEB7-9000	0	P105	90121-KE2-9800	2	P63
81134-KBG-9000	0	P79	87560-GR1-E000	3	P103	90131-GW0-9110	0	P63
81135-KBG-9000	0	P79				90145-MS9-6120-M1	0	P55
81141-KEB7-9000	1	P57				90164-KBG-9000	0	P79
81142-KCA-9000	0	P57	88000			90202-187-0010	0	P27
81146-GN2-0010	0	P57				90215-GM0-9100	0	P77
81200-KEB7-9000	0	P77	88110-KEB7-E000	0	P51	90301-634-6700	0	P97
81218-KAC-P000	0	P103	88120-KEB7-E000	0	P51	90301-KGBG-9000	0	P83
81260-KEB7-E000	2	P77				90302-GY6-9000	0	P57
						90302-GY6-9000	0	P59
83000			89000			90302-GY6-9000	0	P73
						90302-GY6-9000	0	P75
83500-KEB7-3150-GM	0	P77	89010-KBN-9000	0	P69	90302-GY6-9000	0	P91
83501-KEB7-9000	0	P79				90302-KED5-9000	0	P79
83520-KEB7-3050-GM	0	P77	90000			90302-SA4-0030	1	P57
83520-KEB7-3150	0	P77				90302-SA4-0030	1	P59

零 件 號 碼 索 引

PART NO. INDEX

零 件 號 碼	版數	頁 次	零 件 號 碼	版數	頁 次	零 件 號 碼	版數	頁 次
PART NO.	VER.	PAGE	PART NO.	VER.	PAGE	PART NO.	VER.	PAGE
90302-SA4-0030	1	P77	91006-KBN-9010	0	P33	93700-05018-0H	0	P49
90304-GE8-0030	1	P53	91009-GE0-0040	0	P31	93891-05012-07	0	P99
90304-GE8-0030	1	P97	91102-GW0-0090	0	P39	93893-04012-18	0	P55
90305-GK8-0010	0	P79	91103-GR1-0040	0	P27	93903-14380	0	P77
90305-KBN-9030-M2	0	P67	91201-KBN-9220-M1	0	P33	93903-24380	0	P77
90306-GW0-9020-M1	0	P63	91202-KBN-9220-M1	0	P35	93903-24380	0	P97
90309-KF0-0030	1	P31	91204-KBN-9020-M1	0	P35	93903-25320	0	P49
90381-GZ5-0010	0	P77	91211-GK8-0130	0	P27	93903-25380	0	P81
90412-329-0010	0	P25	91255-446-0140	0	P101	93903-34320	0	P79
90426-KBN-9010	0	P25	91255-GE0-0030	0	P31	93903-34380	0	P47
90429-KBN-9010	0	P31	91258-KM1-0000	0	P63	93903-34380	0	P53
90442-044-0000	0	P27	91301-053-0010	0	P31	93903-34380	0	P57
90451-GN2-6010	1	P25	91301-KA5-7420-Y1	0	P29	93903-34380	0	P59
90454-GB2-0000	0	P27	91302-PA9-0040	1	P29	93903-34380	0	P79
90474-333-0010	0	P35	91304-GB0-9110	0	P35	93903-34380	0	P81
90501-KBN-9010	0	P67	91309-GAK-9010	0	P21	93903-34380	0	P89
90545-300-0010	2	P55	91352-KG8-8330-M2	0	P67	93903-34380	0	P91
90554-283-0010	0	P101				93903-34380	0	P99
90601-354-0010	0	P101				93903-35080	0	P81
90652-GHB-6700	0	P81	92000					
90656-GY6-9110	0	P53						
90677-GR1-0030	1	P79	92700-06028-1B	0	P17	94000		
90741-035-0010	0	P39						
90754-GC8-0000	0	P63						
90912-GC8-0000	0	P63	93000					
			93404-06012-08	0	P91	94001-05080-0S	0	P51
91000			93404-06016-07	0	P57	94001-12280-0S	0	P25
			93404-06016-07	0	P91	94050-05080	0	P89
91001-GA7-7020-M1	0	P27	93404-06016-08	0	P57	94050-06080	0	P35
91001-GW0-9020-M2	3	P33	93404-06020-07	0	P57	94050-06080	0	P43
91004-KBN-9220-M1	0	P33	93404-06025-07	0	P81	94050-06080	0	P55
91004-KN2-9020-M1	0	P31	93500-05025-1B	0	P51	94050-06080	0	P59
91004-KN2-9020-M1	0	P33	93600-04012-1G	0	P55	94050-06080	0	P69
						94050-06080	0	P71
						94050-06080	0	P95
						94050-10080	0	P19

零 件 號 碼 索 引

PART NO. INDEX

零 件 號 碼	版數	頁 次	零 件 號 碼	版數	頁 次	零 件 號 碼	版數	頁 次
PART NO.	VER.	PAGE	PART NO.	VER.	PAGE	PART NO.	VER.	PAGE
94050-10080	0	P29	95701-06022-07	0	P55	96211-05000	0	P61
94101-06800	0	P99	95701-06022-07	0	P85	96211-08000	0	P99
94101-08700	0	P85	95701-06022-08	0	P67			
94101-10800	0	P53	95701-06025-08	0	P15			
94201-16120	0	P99	95701-06025-08	0	P51	98000		
94251-08400	0	P85	95701-06028-08	0	P59			
94301-10200	0	P33	95701-08040-08	0	P35	98076-5871G-00	0	P17
94510-20000	0	P31	95701-KEB7-E000	0	P95	98200-10700	0	P73
94511-14000	0	P25	95801-06045-08	0	P81	98200-10700	0	P95
94520-24000	0	P27	95801-06050-08	0	P97			
94591-21000	0	P59	95801-08035-07	0	P83			
94591-KBF-9000	1	P15	95801-08035-08	0	P35	D19KT		
94605-KBE-9000	0	P101	95801-08035-08	0	P87			
94608-30000	0	P101	95801-08040-08	0	P61	D19KT-001-0300	0	P41
			95801-08050-07	0	P83	D19KT-001-0800	0	P41
			95801-10035-08	0	P87	D19KT-001-1800	0	P41
95000			95801-10040-08	0	P53	D19KT-001-2000	0	P41
			95801-10050-07	0	P97	D19KT-001-3200	0	P41
95002-02070	0	P43	95801-10095-07	0	P97	D19KT-001-3800	0	P41
95002-02080	0	P43	95801-10120-07	0	P97	D19KT-001-3900	0	P41
95002-02080	0	P91				D19KT-003-0700	0	P41
95002-02110	0	P81				D19KT-003-1500	0	P41
95002-50000	0	P75	96000			D19KT-003-1600	0	P41
9500B-KEB7-E000	0	P71				D19KT-004-0200	0	P41
9500C-KEB7-9000	0	P71	96001-06012-08	0	P19	D19KT-004-2100	0	P41
9500E-KEB7-9000	0	P71	96001-06012-08	0	P55	D19KT-005-1300	0	P41
95014-71202	0	P85	96001-06016-08	0	P19	D19KT-005-1900	0	P41
95014-72204	0	P85	96001-06022-08	0	P19	D19KT-006-1900	0	P41
95015-32001	0	P51	96001-06025-08	0	P21	D19KT-007-0100	0	P41
95015-42000	0	P51	96001-06025-08	0	P35	D19KT-008-0900	0	P41
95701-06012-08	0	P61	96001-06032-08	0	P35	D19KT-013-1000	0	P41
95701-06012-08	0	P71	96001-06045-08	0	P33	D19KT-014-0600	0	P41
95701-06012-08	0	P95	96001-06055-08	0	P33	D19KT-015-1400	0	P41
95701-06012-08	0	P97	96100-62033-00	0	P33			

